



Comfortable,
reconfigurable
seating for
commons areas.

ADD POWER
SEE PAGE 246 FOR ORDER INFO

Chat Wedge with Power, Model CHWGP.
Shown in Golden Oak top with Navy edge
and Platinum frame.
Shown with Chat Chair with Fabric Seat,
Model CH11FLPL0

CHAT LOUNGE

chat chair

chat wedge

chat planner tables

chat chair + power

chat wedge + power

chat cafe (16" h base)

OVERVIEW

The Chat Chair is a new concept in seating, providing an option between lounge seating and classroom seating. The Chat Chair offers large dimensions, encouraging the student to engage in relaxed collaborative learning or social learning settings. The Chat Chair offers excellent flexibility: integrated casters provide easy mobility. It can be ganged, or positioned individually. Available in 15 colors with Nylon or felt glides.

- Link them together or position them individually.
- Integrated casters provide easy mobility.
- Extra wide seat pan constructed of choice: polypropylene or fabric, available in 15 colors.
- Seat back constructed of polypropylene, available in 16 colors.
- 16-gauge welded-steel frame in Chocolate or Platinum.

COLOR OPTIONS

FRAME

● PLATINUM 1

CHAT CHAIR SHELL COLOR CHOICE

● APPLE A

● BURGUNDY D

● CLEMENTINE E

● BLACK B

● CERULEAN S

● FOREST GREEN F

● BLUEBERRY C

● CHOCOLATE Q

● MINT H

● MOCHA T

● PURPLE K

● NAVY I

● RED L

● PERSIAN BLUE J

○ WHITE M



The Chat Chair is available with optional outlets, for powering devices students need for social learning.

ADD POWER
SEE PAGE 246 FOR ORDER INFO



The Chat Wedge Power table comes with a 4 Power Outlet Dome power module.



FOR MORE INFORMATION CALL 1-800-328-1061
OR VISIT WWW.SMITHSYSTEM.COM



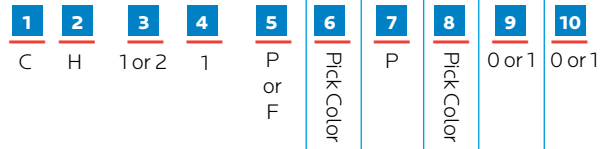


MODEL	DESCRIPTION	D"	W"	H"	F.C.	CUBE	WT.	UPS
CH11P_P_00	Polypropylene 18" high w/ nylon glide	24	24.5	18	125		26	*
CH21P_P_00	Polypropylene 18" high w/ felt glide	24	24.5	18	125		26	*
CH11F_P_00	Fabric 18" high w/ nylon glide	24	24.5	18	125		26	*
CH21F_P_00	Fabric 18" high w/ felt glide	24	24.5	18	125		26	*
Chat Chair with Power (under seat, 2 plugs, mount)								
CH11P_P_01	Polypropylene 18" high w/ nylon glide	24	24.5	18	125		26	*
CH21P_P_01	Polypropylene 18" high w/ felt glide	24	24.5	18	125		26	*
CH11F_P_01	Fabric 18" high w/ nylon glide	24	24.5	18	125		26	*
CH21F_P_01	Fabric 18" high w/ felt glide	24	24.5	18	125		26	*

Seat Color Choice for 1st Choose 1 letter
 Back Color Choice for 2nd Choose 1 letter

How to read a Chat™ Chair 10-digit Part Number

Here's our simple system for ordering Chat Chairs exactly the way you want them. Just decide what features and options you want, find them in the columns below and write them down in sequence.



1 2 Chair Type CH = Chair	3 Chair Size/Type 1 = 18" high w/ nylon glide 2 = 18" high w/ felt glide	4 Frame Color 1 = Platinum	5 Seat Type P = Poly F = Fabric	6 Seat Color See Shell Color Chart Choose 1 Letter	7 Back Type P = Poly	8 Back Color See Shell Color Chart Choose 1 Letter	9 Screen 0 = No Screen	10 Power 0 = No Power 1 = Power
---	---	--	--	---	--	---	--	--

Polypropylene (P) Seat; Polypropylene (P) Back or Fabric (F) Seat.



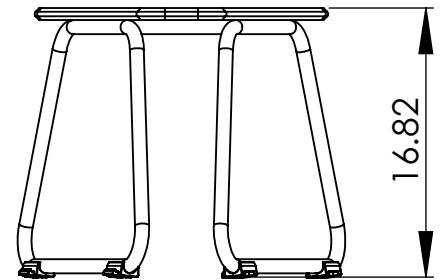
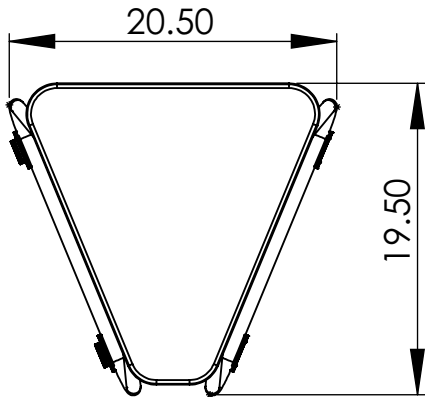
FOR MORE INFORMATION CALL 1-800-328-1061
 OR VISIT WWW.SMITHSYSTEM.COM



chat wedge and chat planner table laminate choices



chat wedge and chat planner table frame



MODEL	DESCRIPTION	D"	W"	H"	F.C.	CUBE	WT.	UPS
CHWDG	Chat Wedge Table	19.5	20.5	16.82	70		16	*
CHWGP	Chat Wedge Table W/4 Plug Power Dome	19.5	20.5	16.82	70		16	*
Optional Accessories								
17060	15ft. cord Power Socket						4	

ADD POWER
SEE PAGE 246 FOR ORDER INFO

Wedge Tables Have Top and Edge Choices

1 1/4" Tops



CHOICE 1 - 1 1/4" top with Bumper T-Mold
no letter to follow Model No.



CHOICE 3 - 1 1/4" top with 4mm T-Mold
D to follow Model No.



Chat Wedge Power table, 4 power outlets, Model CHWGP.



FOR MORE INFORMATION CALL 1-800-328-1061
OR VISIT WWW.SMITHSYSTEM.COM



chat wedge and chat planner table laminate choices



chat wedge and chat planner table frame



Chat Planner 36" Round Activity Table, Model 25030L.



Café Round top, Model 01504 with 16" Circular Base, Model 01450.

MODEL	DESCRIPTION		D"	W"	H"	F.C.	CUBE	WT.	UPS
Chat Planner Activity Tables*									
25031L	Square Table	1" leveling glides	24	24	15-24*	70			*
25032L	Rectangle Table	1" leveling glides	24	42	15-24*	70			*
25030L	Round Table	1" leveling glides	36" round		15-24*	70			*
* Chat Planner Activity Tables adjust in 1" increments from 15-24".									
Coffee height Café Table									
01504	Café Round top only		36" dia.			70	2.25	33	*
01450	Café 16"h Circular Base	coffee table height	24" dia.		16	70	5.5	38	*
* See page 163 for all Café options.									



FOR MORE INFORMATION CALL 1-800-328-1061
OR VISIT WWW.SMITHSYSTEM.COM

