

# activity table - round

model #: 01103, 01104, 01105

round activity table, 48" diameter

**DIMENSIONS + FREIGHT:**

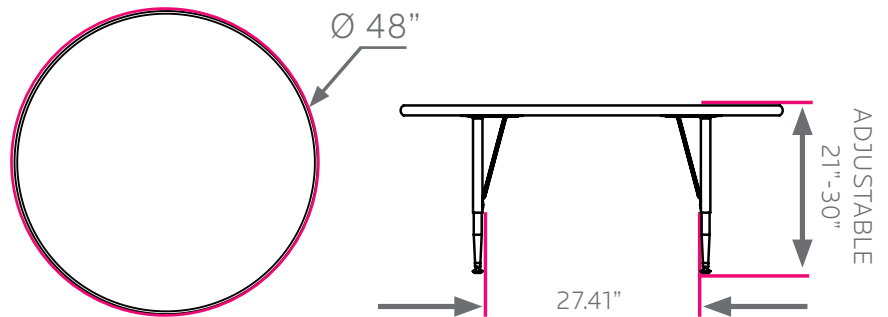
| MODEL # | D"  | W"  | H"      | F.C. | CUBE | WEIGHT  |
|---------|-----|-----|---------|------|------|---------|
| 01103   | 48" | 48" | 21"-30" | 70   | 2.6  | 75 lbs. |
| 01104   | 48" | 48" | 15"-24" | 70   | 2.5  | 75 lbs. |
| 01105   | 48" | 48" | 11"-16" | 70   | 2.5  | 74 lbs. |

**OVERVIEW:**

This classroom standby is perfect for small group instruction. Sturdy and stable with gracefully strong legs. The line's height ranges are adequate for students from pre-K through adult. Legs available in a choice of three height ranges (21"-30", 15"-24" or 11"-16").

The 1 1/4" thick **WORK SURFACE** consists of a 45 lb. density particle board core with a .030" high-pressure laminated surface and a .020" melamine backer sheet. The edge of the work surface features 3/8" bumper edge molding that is mechanically fastened every 6 to 8 inches to assure a long lasting fit.

The **UPPER LEG** is made of an 18-gauge 1" diameter steel tube that is protected by a durable powder coat finish (available in 8 different colors) and a 16-gauge mounting plate which adds stability and strength. Legs attach to an easy-on bracket that is already mounted to the desktop, requiring only one screw per leg for secure assembly. The 12-gauge **LOWER LEG** is a chrome-plated tube to resist scuffing. The telescoping leg adjusts in 1" increments, and is swedged to accept our outside hold design which stays longer and lasts longer as well as features a chrome-plated swivel base & nylon contact pad.



**ACTIVITY TABLE TOP & EDGE PROFILE**

1 1/4" TOP



**LAMINATE CHOICES**

- AMBER CHERRY
- ASIAN NIGHT
- BLOND ECHO
- FUSION MAPLE
- GOLDEN OAK
- GREY MESH
- GREY NEBULA
- NEW AGE OAK
- PEWTER MESH
- TAN ECHO
- WILD CHERRY

**ACTIVITY LEG COLOR CHOICE**

- BLACK
- FOREST GREEN
- NAVY
- PERSIAN BLUE
- PLATINUM
- PURPLE
- RED
- YELLOW

**ACTIVITY EDGE COLOR CHOICE**

- APPLE
- BLACK
- BLUEBERRY
- BURGUNDY
- CERULEAN
- ORANGE
- CHAMPAGNE
- CHARCOAL
- CHOCOLATE
- CLEMENTINE
- FOREST GREEN
- FUCHSIA
- MINT
- MOCHA
- NAVY
- PERSIAN BLUE
- PURPLE
- RED
- WHITE
- YELLOW
- PLATINUM