

# silhouette 20 x 27HP adjustable height w/ glide

model #: 01651

*silhouette 20" x 27" hard plastic top*

**DIMENSIONS + FREIGHT:**

MODEL #	D"	W"	H"	F.C.	CUBE	WEIGHT
01651	20"	27"	19" - 31"	70	1.3	40 lbs.
carton	21"	28"	7"			

\*FOR FIXED-HEIGHT 29.5"H LEG SET SEE MODEL #S: 01647, 01646.

**OVERVIEW:**

Shipped ready to assemble, these desks have a heavy-duty work surface that won't sag under heavy books or equipment. The Silhouette Desk is great for rows, pairs, or groupings for collaborative learning.

The **WORK SURFACE** consists of a 5/8" thick solid plastic top that is molded under high pressure from thermosetting melamine resin. The easy-cleaning solid plastic has a smooth surface which resists scratching, gouging and staining and is non-burning. Meets California firecode CAL TB 133. This versatile Silhouette Student Desk allows for a variety of arrangements in the classroom.

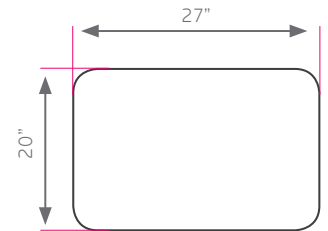
The **FRAME** is attached to the pre-drilled holes in the top with (6) #10 screws through a 1" x 1.75" 14 gauge steel channel. The mounting channel is welded to a 1" x 2" rectangular 16-gauge steel tube leg. The leg inserts are 1" x 1.75" 16-gauge steel tube and adjust in height from 19" to 31" in 1" increments. The adjustment for each leg is secured with (2) allen screws.

The legs are tied together for added strength with a 1" x 2" 14-gauge steel tube stretcher bar and (4) bolts. Legs have 1" adjusting leveling glides. The optional Book Box is attached to the pre drilled holes in the top with (6) #10 screws. This book box is an all welded 22-gauge steel construction that has a curled hem on the front opening, powdercoat Black paint finish, Platinum special order.

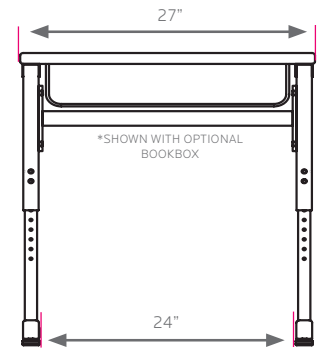
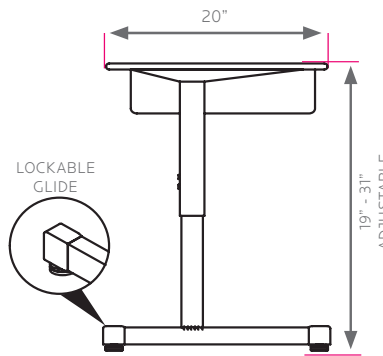
**\*Book Box not included, sold seperately.**

**OPTIONAL ACCESSORIES**

MODEL #		D"	W"	H"	F.C.	CUBE	WEIGHT
17190	steel bookbox	15"	20"	4"	70	3.0	8 lbs.
17200	wire book-basket	15"	18"	3.5"	70	3.0	5 lbs.
30925	SW tray w/ housing	16.8"	13.5"	3"	70	1.2	8 lbs.
30926	EW tray w/ housing	16.8"	19.6"	3"	70	1.2	10 lbs.
17576	3" casters, set of 4			3"	70	0.1	5 lbs.



\*MODEL 01601 (18 X 24) - ADJUSTABLE 19"-31" SHOWN.



**Frame Color Options**



BLACK



PLATINUM

*Hard plastic is not available through the Quick Ship program.*

**Hard Plastic Color Options**



MAPLE



CHERRY



GREY