

husky activity table - square

model #: 04370, 04371

square activity table 48" x 48"

DIMENSIONS + FREIGHT:

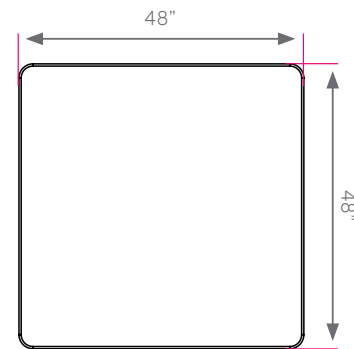
MODEL #	D"	W"	H"	F.C.	CUBE	WEIGHT
04370	48"	48"	21"-30"	70	2.6	96 lbs.
04371	48"	48"	15"-24"	70	2.6	96 lbs.

OVERVIEW:

With their adjustable-height work surface and specially designed glides, Husky Activity Tables are ideal for elementary and high school environments.

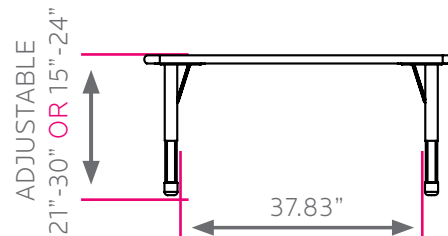
The 1 1/4" thick **WORK SURFACE** consists of a 45 lb density particle board core with a 0.030" high pressure laminated surface and a 0.020" backer sheet. The edge of the work surface features T-mold that is stapled to the underside of the work surface every 6 - 8". The upper leg is made of 17-gauge, 1 3/4" diameter steel tube that is protected with a durable powder coat finish that matches the color of the nylon cap. Choose from eight colors that will bring excitement to the classroom. The 1/4" V-shaped support brace is welded to the top leg and 16-gauge mounting plate, which adds stability and strength. The easy-on brackets are mounted to the desktop for easy assembly, requiring only one screw per leg for secure assembly.

The chrome plated **LOWER LEG** is made out of a 13-gauge 1 1/2" diameter tube to resist scuffing and is complimented by a durable nylon cap matching the powder coat finish. The telescoping tube leg adjusts in 1" increments. The glide is a sock type that slides over the outside of the leg. This glide is made of glass-filled nylon that assures durability. The glide resists rust, stains, and scratches.



HUSKY ACTIVITY TOP & EDGE PROFILE

1 1/4" TOP



Husky Leg Color Options



BLACK



PLATINUM

Standard Laminate Options

Want to specify a different laminate?

No problem. If you have 20 or more tops of the same color -60 or -38 there is no upcharge. Have 20 or less? We can quote for you with the Wilsonart code and – finish style. We can specify other laminates – call to inquire and get a quote.



Suggested Standard Laminates:



ASIAN NIGHT
7949-60



BOARDWALK OAK
7983-60



PEWTER MESH
4878-60



CLASSIC LINEN
4943-60



HIGH RISE
4996-60



BUKA BARK
7982-60



PALISADES OAK
7987-60



FLAX LINEN
4990-60



MISSION MAPLE
7990-60

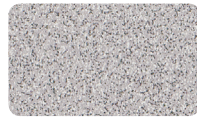


NEW AGE OAK
7938-60

Classic Standard Laminates:



WILD CHERRY
7054-60



GREY NEBULA
4622-60



FUSION MAPLE
7909-60

All 13 of the standard laminates are -60 finish, if you need to match a laminate from a previous year, please let us know on your order (example Pewter Mesh 4878-38, our standard is -60).

When the WilsonArt Laminate code includes a "Y", "K", "-12" "-78", "Aeon" etc, these are special laminates with an upcharge, even when it contains -38 or -60.

Standard Edge Color Options



APPLE



BLACK



BLUEBERRY



BURGUNDY



CERULEAN



CHAMPAGNE



CHARCOAL



CHOCOLATE



CLEMENTINE



FOREST GREEN



FUCHSIA



MINT



MOCHA



NAVY



ORANGE



PERSIAN BLUE



PLATINUM



PURPLE



RED



YELLOW