

# husky activity table - clover

model #: 04380, 04381

clover activity table 48" diameter

**DIMENSIONS + FREIGHT:**

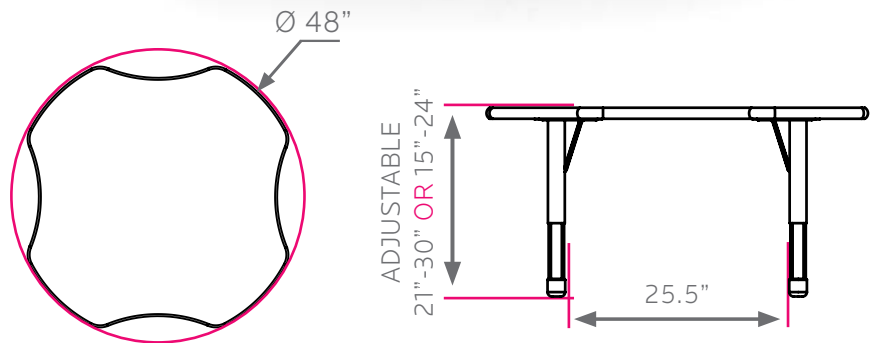
MODEL #	D"	W"	H"	F.C.	CUBE	WEIGHT
04380	48"	48"	21"-30"	70	2.6	73 lbs.
04381	48"	48"	15"-24"	70	2.6	73 lbs.

**OVERVIEW:**

With their adjustable-height work surface and specially designed glides, Husky Activity Tables are ideal for elementary and high school environments.

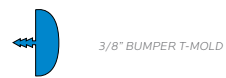
The 1 1/4" thick **WORK SURFACE** consists of a 45 lb density particle board core with a 0.030" high pressure laminated surface and a 0.020" backer sheet. The edge of the work surface features T-mold that is stapled to the underside of the work surface every 6 - 8". The upper leg is made of 17-gauge, 1 3/4" diameter steel tube that is protected with a durable powder coat finish that matches the color of the nylon cap. Choose from eight colors that will bring excitement to the classroom. The 1/4" V-shaped support brace is welded to the top leg and 16-gauge mounting plate, which adds stability and strength. The easy-on brackets are mounted to the desktop for easy assembly, requiring only one screw per leg for secure assembly.

The chrome plated **LOWER LEG** is made out of a 13-gauge 1 1/2" diameter tube to resist scuffing and is complimented by a durable nylon cap matching the powder coat finish. The telescoping tube leg adjusts in 1" increments. The glide is a sock type that slides over the outside of the leg. This glide is made of glass-filled nylon that assures durability. The glide resists rust, stains, and scratches.



**HUSKY ACTIVITY TOP & EDGE PROFILE**

1 1/4" TOP



**LAMINATE CHOICES**

- AMBER CHERRY
- ASIAN NIGHT
- BLOND ECHO
- FUSION MAPLE
- GOLDEN OAK
- GREY MESH
- GREY NEBULA
- NEW AGE OAK
- PEWTER MESH
- TAN ECHO
- WILD CHERRY

**ACTIVITY LEG COLOR CHOICE**

- BLACK
- BLUEBERRY
- CLEMENTINE
- FOREST GREEN
- MINT
- NAVY
- PLATINUM
- PURPLE
- RED

**ACTIVITY EDGE COLOR CHOICE**

- APPLE
- BLACK
- BLUEBERRY
- BURGUNDY
- CERULEAN
- ORANGE
- CHAMPAGNE
- CHARCOAL
- CHOCOLATE
- CLEMENTINE
- FOREST GREEN
- FUCHSIA
- MINT
- MOCHA
- NAVY
- PERSIAN BLUE
- PURPLE
- RED
- WHITE
- YELLOW
- PLATINUM