

cpu holder

model #: 17213

cpu holder - large

ADJUSTABLE DIMENSIONS:

MODEL #	D"	W"	H"
17213	14" - 18.5"	8.5" - 11.63"	16.75" - 21.25"
pc space	9.75" - 17.5"	5.38" - 9.63"	15.25" - 19.75"

DIMENSIONS + FREIGHT:

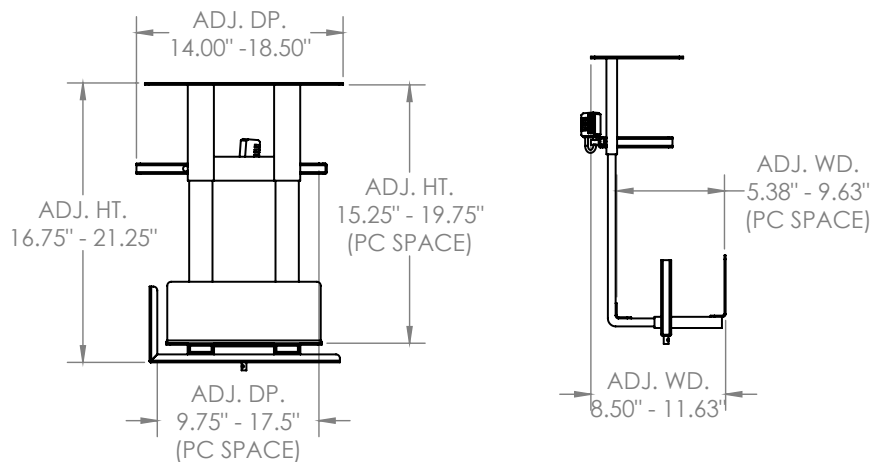
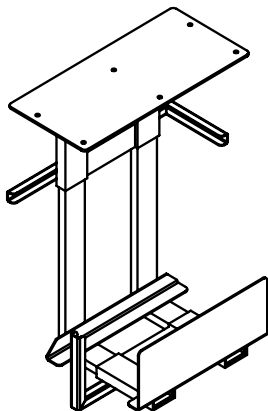
MODEL #	D"	W"	H"	F.C.	CUBE	WEIGHT
17213	14"	8.5"	16.75"	70	1.0	10 lbs.
carton	8.25"	16.5"	7"	shipping weight 11.5 lbs.		

OVERVIEW:

Security and strength are the hallmarks of our CPU Holder. The all-steel construction provides adjustability for the various widths and heights of modern workstation towers. The unit mounts underneath the work surface via six wood screws through a solid steel plate. The computer will be secured via two steel bars and matching combination locks. The CPU Holder supports up to 50 lbs of weight.

MATERIALS:

The backbone of this unit is constructed of 1/2" x 1 1/2" 16-gauge rectangular tubing. The top is a 11-gauge heavy plate welded to the steel tubing, with holes for attachment points. The side plate is 14-gauge with a flange for added strength. Vertical adjustment is 16.75" to 21.25". Width adjustment is 8.5" to 11.63". A one-step adjustment process is possible using the hex key included to loosen and/or tighten the pre-installed hex socket screws. Two (2) locks are included for added security. Locks are three-disc combination locks.



CPU HOLDER FINISH

- BLACK