

# cpu holder

model #: 17217

cpu holder - small



## OVERVIEW:

Security and strength are the hallmarks of our CPU Holder. The all-steel construction provides adjustability for the various widths and heights of modern workstation towers. The unit mounts underneath the work surface via six wood screws through a solid steel plate. The computer will be secured via two steel bars and matching combination locks. The CPU Holder supports up to 50 lbs of weight.

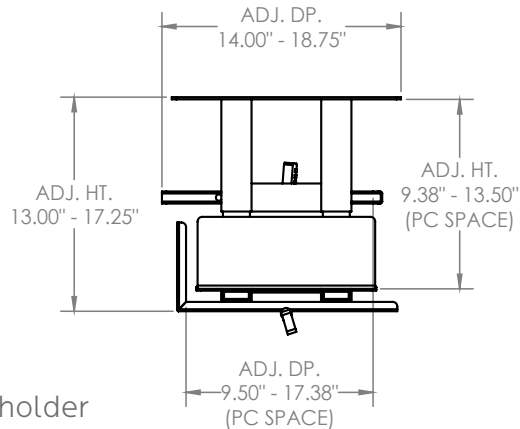
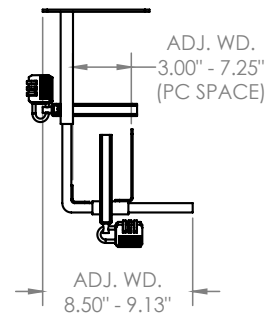
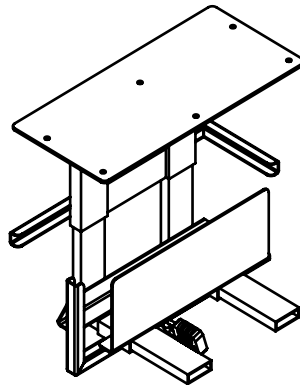
The backbone of this unit is constructed of 1/2" x 1 1/2" 16-gauge rectangular tubing. The top is a 11-gauge heavy plate welded to the steel tubing, with holes for attachment points. The side plate is 14-gauge with a flange for added strength. Vertical adjustment is 13" to 17.25". Width adjustment is 8.5" to 9.13". A one-step adjustment process is possible using the hex key included to loosen and/or tighten the pre-installed hex socket screws. Two (2) locks are included for added security. Locks are three-disc combination locks.

## cpu holder ADJUSTABILITY

| MODEL #  | D"            | W"           | H"            |
|----------|---------------|--------------|---------------|
| 17217    | 14" - 18.75"  | 8.5" - 9.13" | 13" - 17.25"  |
| pc space | 9.5" - 17.38" | 3" - 7.25"   | 9.38" - 13.5" |

## DIMENSIONS:

| MODEL # | D"  | W"   | H"  | F.C.                       | CUBE | WEIGHT |
|---------|-----|------|-----|----------------------------|------|--------|
| 17217   | 14" | 8.5" | 13" | 70                         | 1.0  | 7 lbs. |
| carton  | 6"  | 14"  | 12" | shipping weight<br>8.5 lbs |      |        |



## CPU holder COLORS



BLACK