

pull-out knee drawer

model #: 17342

pull-out knee drawer

DIMENSIONS + FREIGHT:

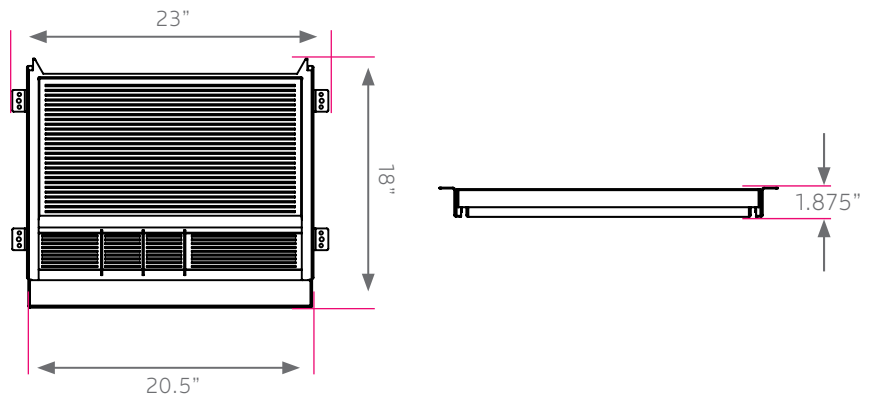
MODEL #	D"	W"	H"	F.C.	CUBE	WEIGHT
17342	18"	20.5"	1.875"	70	1.0	5 lbs.

OVERVIEW:

This center drawer installs easily on nearly any desk or table. Great use for a computer lab, teacher workstation or any other application. For Keyboard trays, see part numbers #17620, #17622.

MATERIALS:

The drawer is molded plastic that features ball-bearing slides that allow the drawer smooth movement in and out from under the table top. The drawer also has height adjustable brackets to fit the drawer to the user's need.



PULL-OUT KNEE DRAWER FINISH

- BLACK