

2 drawer vertical file

model #: 19160

vertical drawer file, 2-drawer

DIMENSIONS & FREIGHT:

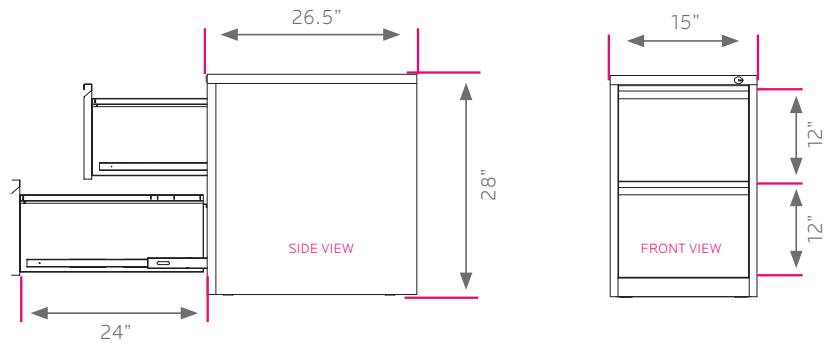
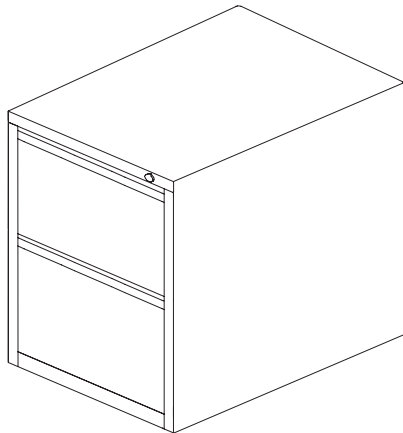
MODEL #	D"	W"	H"	F.C.	CUBE	WEIGHT
19160	26.5"	15"	28"	125	7.3	75 lbs.

OVERVIEW:

The vertical 2 drawer file comes with a key gang lock. Vertical files make a strong statement in classrooms, libraries, offices and more

MATERIALS:

The body of the cabinet is all welded 20-gauge steel construction. For user safety, the files have an interlock system that prevents more than one drawer from opening at the same time as well as prevents accidental tipping. Heavy-gauge ball-bearing slide-arm suspensions offer effortless operation, year after year. Also their built-in bumpers prevent bounce back. Each unit is powder-coat paint finished.



FRAME



PLATINUM



BLACK