

booktruck, six sloping shelf

model #: 21004

six sloping shelf booktruck
+ 6 book supports/dividers (#21004)

DIMENSIONS & FREIGHT:

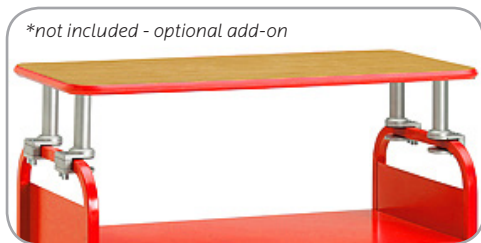
MODEL #	D"	W"	H"	F.C.	WEIGHT
21004	18"	36"	43"	150	76 lbs.
carton	19"	37.5"	40"		

OVERVIEW:

Smith System™ Book Trucks are a handy companion to the library or classroom, carrying up to 400 lb of books, paper and projects. They move easily through aisles on soft-tread, dual wheel casters that won't shimmy like single wheels.

MATERIALS:

Smith System™ Book Truck #21004 consists of (2) Frames, (2) End Panels and (3) Sloping Shelf Weldments. The End Panels consist of 20-gauge steel full height panels welded to 1" square 18-gauge steel tubing Frame with formed in handles that radius for added comfort and ease of movement. The Shelves are constructed of 20-gauge steel double sided sloping shelves that are 34" long and 7 3/4" deep on each side and a 6" high back. The shelves sport a 12 3/4" clearance between shelves and are welded to the frames and end panels of the Book Truck. All Book Trucks feature 4" diameter dual wheel casters with soft tread for quiet operation. Dual wheels have no saddle that may damage surrounding furniture.

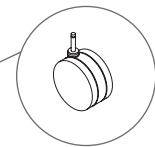


MODEL #	D"	W"	H"	F.C.	WEIGHT
21109	18"	38"	1.25"	70	19 lbs.

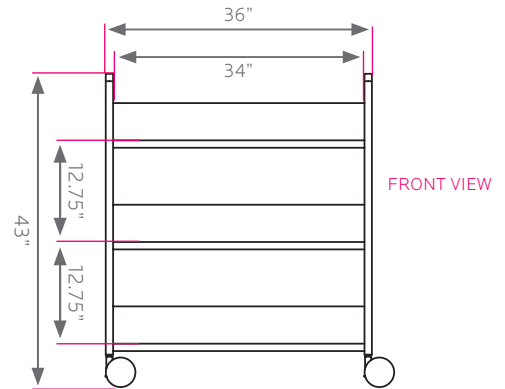
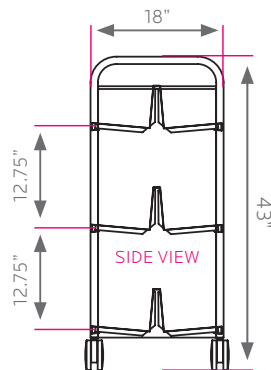
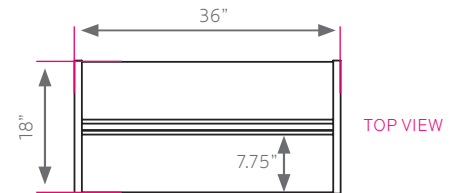
OPTIONAL BOOKTRUCK TOP #21109:

Add this optional Booktruck Riser Shelf with 1 1/4" thick laminated top with either our 3/8" bumper or 4mm edge banding. The Riser-Poles clamp onto the booktruck handles and come in a Platinum finish. The shelf stands 6" above the booktruck handles.

(see #21109 specifications for product color selections.)



4" DIA. CASTERS



QS (QUICK-SHIP) BOOKTRUCK COLORS

Quickship colors up to 5. If more than 5, 8 week lead time.



EXTENDED LEADTIME BOOKTRUCK COLORS

8-Week lead-time colors.

