

# booktruck, three sloping shelf

model #: 21096

three sloping shelf booktruck, 24" wide

**DIMENSIONS & FREIGHT:**

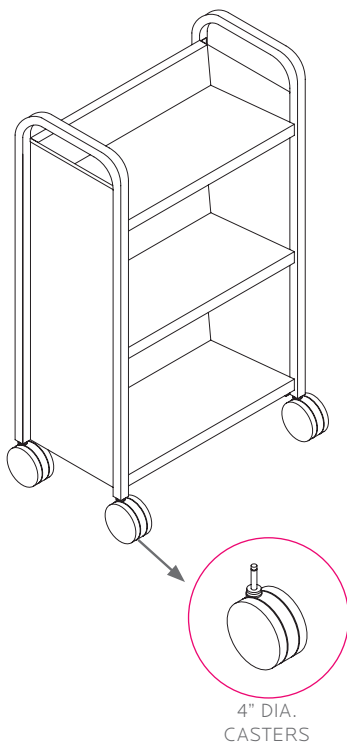
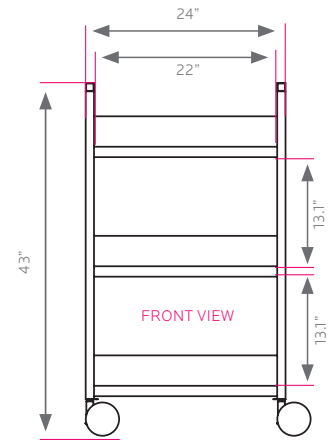
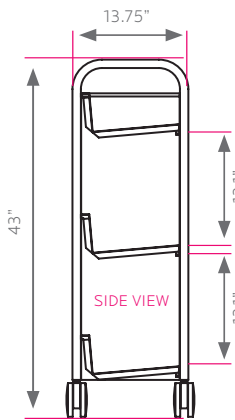
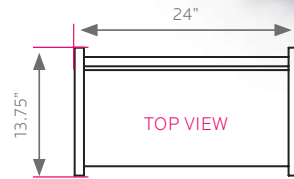
MODEL #	D"	W"	H"	F.C.	WEIGHT
21096	14"	24"	43"	150	46 lbs.
carton	15"	25.5"	40"		

**OVERVIEW:**

Smith System™ Book Trucks are a handy companion to the library or classroom, carrying up to 400 lb of books, paper and projects. They move easily through aisles on soft-tread, dual wheel casters that won't shimmy like single wheels

**MATERIALS:**

Smith System™ Book Truck #21096 consists of (2) Frames, (2) End Panels and (3) Sloping Shelves. The End Panels consist of 20-gauge steel full height panels welded to 1" square 18-gauge steel tubing Frame with formed in handles that radius for added comfort and ease of movement. The Sloping Shelves are constructed of 20-gauge steel single sided sloping shelves that are 34" long x 10.4" deep and 4.6" high back. The shelves sport a 13.1" clearance between shelves and are welded to the frames and end panels of the Book Truck. All book trucks feature 4" diameter dual wheel casters with soft tread for quiet operation. Dual wheels have no saddle that may damage surrounding furniture.



**BOOKTRUCK COLOR CHOICE**

- APPLE
- BLACK
- BLUEBERRY
- BURGUNDY
- CERULEAN
- CHAMPAGNE
- CHOCOLATE
- CLEMENTINE
- FOREST GREEN
- FUCHSIA
- MINT
- MOCHA
- NAVY
- PERSIAN BLUE
- PURPLE
- RED
- SAND
- YELLOW
- PLATINUM