

3' nomad - four flat shelves

model #: 21675

3' nomad, four flat shelves

DIMENSIONS + FREIGHT:

MODEL #	D"	W"	H"	F.C.	CUBE	WEIGHT
21675	25"	39.5"	34"	70	8.0	154 lbs.

OVERVIEW:

Our Nomad is a large volume cart for heavy duty storage and mobility. These units are distinctive with their radius end panels and customized laminate and color to accommodate your preferences.

MATERIALS:

End Panels:

Radius End Panels are constructed of 3/4" thick high-density particle board that is double-sided with .030" high pressure laminate surfaces and a bumper edge of your choice.

Shelving:

This Nomad features two 20-gauge steel base shelves intended to fit snug along the bottom of the unit, interlocked on 14-gauge brackets. This unit also features two 20-gauge flat shelves interlocked on 14-gauge brackets.

Structural Components:

There are two vertical T-shaped columns and three spacer bars that make up the frame of the unit. There are slots along the entire length of each column to allow for adjustable shelf height and spacing. The spacer bars are engineered for consistent spacing and rigidity to support this heavy duty unit.

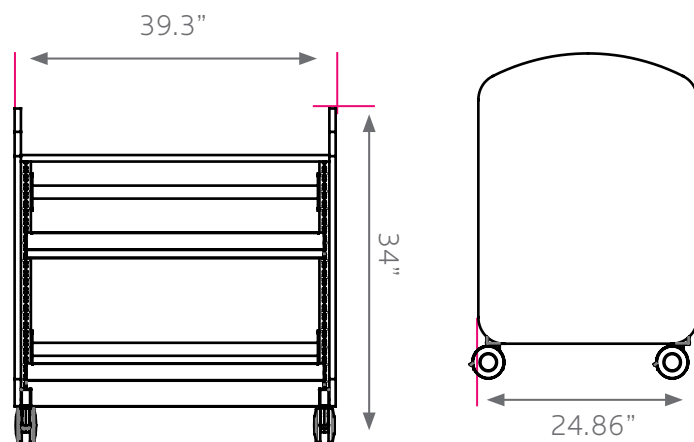
Mobility:

This unit includes four (4) 4-inch dual-wheel casters - featuring two locking casters - for movement and reconfiguration.

WEIGHT LIMIT = 300 LBS.



Model 21675. Shown in Platinum frame with Pewter Mesh top and radius end panels with Platinum edge.



FRAME

- PLATINUM

TOP / END PANELS

- PEWTER MESH
- CHERRY
- MAPLE

RADIUS EDGE COLOR CHOICE

- APPLE
- BURGUNDY
- CHARCOAL
- FOREST GREEN
- MOCHA
- PLATINUM
- WHITE
- BLACK
- CERULEAN
- CHOCOLATE
- FUCHSIA
- NAVY
- PURPLE
- YELLOW
- BLUEBERRY
- CHAMPAGNE
- CLEMENTINE
- MINT
- PERSIAN BLUE
- RED
- ORANGE