

uxl open front desk

model #: OF2448_---_PLT_--

uxl 24" x 48" open front desk

DIMENSIONS + FREIGHT:

MODEL #	D"	W"	H"	F.C.	CUBE	WEIGHT
OF2448	24"	48"	29.5"	70	2.0	80 lbs.

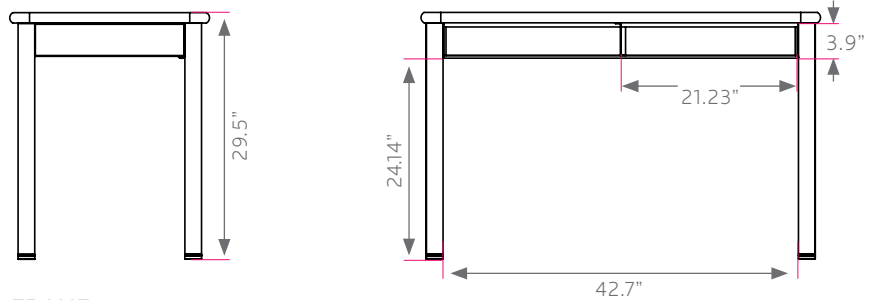
OVERVIEW:

The UXL Open Front Desk combines the elegant look of the UXL Line with the convenience of a built-in bookbox. UXL Open Front Desks come standard with a 3/4" work surface with a 'bullet' T-mold edge (V). The UXL line offers high schools and colleges a complete, integrated system for outfitting the entire school, from classrooms to commons.

MATERIALS:

The 3/4" thick **WORK SURFACE** consists of a 45 lb density particle board core with a 0.030" high pressure laminated surface and a 0.020" melamine backer sheet. The edge of the work surface features 3/4" bullet t-mold that is mechanically fastened to the underside of the work surface every 6 to 8 inches to assure a long lasting fit.

The frame is attached to the pre-drilled holes in the top. The legs then fasten into the frame at each corner. The table frame comes fully assembled requiring only two bolts per leg to complete installation. The frame is a boxed tube design made of aircraft grade aluminum to reduce weight, while being very stable and sturdy. The 16-gauge steel legs are 2" diameter and powder coated for a long lasting durable finish. Legs are available in different configurations, see chart.



UXL LEG OPTIONS



FRAME

- PLATINUM **PLT**

EDGE CHOICES

- | | | | |
|----------------------|-------------------------|-------------------------|---------------------|
| ● APPLE A | ● CHAMPAGNE O | ● FUCHSIA G | ● PURPLE K |
| ● BLACK B | ● CHARCOAL R | ● MINT H | ● RED L |
| ● BLUEBERRY C | ● CHOCOLATE Q | ● MOCHA T | ● WHITE M |
| ● BURGUNDY D | ● CLEMENTINE E | ● NAVY I | ● YELLOW N |
| ● CERULEAN S | ● FOREST GREEN F | ● PERSIAN BLUE J | ● PLATINUM P |

LAMINATE CHOICES

- | | | |
|---------------------------|--------------------------|--------------------------|
| ● AMBER CHERRY AME | ● GOLDEN OAK GOK | ● PEWTER MESH PEW |
| ● ASIAN NIGHT ANG | ● GREY MESH GRE | ● TAN ECHO TAC |
| ● BLOND ECHO BEE | ● GREY NEBULA GNB | ● WILD CHERRY CHE |
| ● FUSION MAPLE MAP | ● NEW AGE OAK NEW | |