

# uxl 20" x 48"



• UXL Tables are standard with a 3/4" Bullet T-Mold top and fixed-height legs (FL).

model #: XL2048\_ \_ \_ \_ PLTFL

uxl 20" x 48" rectangle

**DIMENSIONS + FREIGHT:**

MODEL #	D"	W"	H"	F.C.	CUBE	WEIGHT
XL2048	20"	48"	29.5"	70	2.2	75 lbs.
carton	25"	51.3"	3"			

**OVERVIEW:**

The UXL line offers high schools and colleges a complete, integrated system for outfitting the entire school, from classrooms to commons.

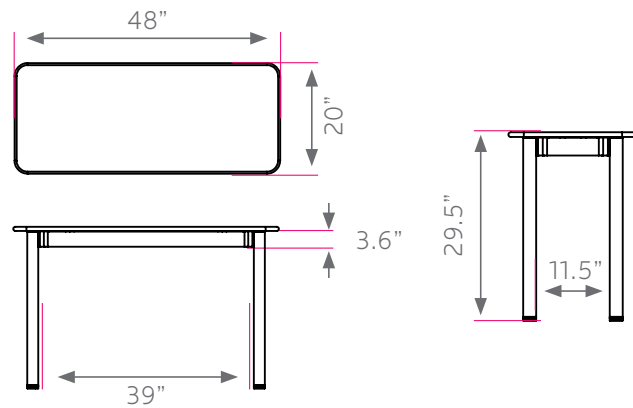
**MATERIALS:**

The 3/4" or 1 1/4" thick **WORK SURFACE** consists of a 45 lb density particle board core with a 0.030" high pressure laminated surface and a 0.020" melamine backer sheet. The edge of the work surface features edge molding that is mechanically fastened to the underside of the work surface every 6 to 8 inches to assure a long lasting fit.

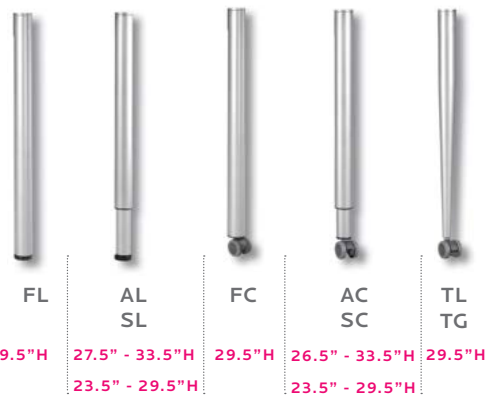
The frame is attached to the pre-drilled holes in the top with #10 x 5/8" screws. The legs then fasten into the frame at each corner. The frame comes fully assembled requiring only two bolts per leg to complete installation. The table frame is a boxed tube design made of aircraft grade aluminum to reduce weight, while being very stable and sturdy. The 16-gauge steel legs are 2" diameter and powder coated for a long lasting durable finish. Legs are available in different configurations, see chart.



\*XL2060, 20" x 60" UXL Rectangle Desk shown.



**UXL LEG OPTIONS**



**FRAME**

● PLATINUM **PLT**

Choose MODEL **7 8 9 10** PLT FL  
 Pick Laminate Color Pick Edge Color  
 Fixed-height (FL) leg set is standard. See page 99 to order optional leg sets.

**EDGE CHOICES**

- APPLE **A**
- CHAMPAGNE **O**
- FUCHSIA **G**
- PURPLE **K**
- BLACK **B**
- CHARCOAL **R**
- MINT **H**
- RED **L**
- BLUEBERRY **C**
- CHOCOLATE **Q**
- MOCHA **T**
- WHITE **M**
- BURGUNDY **D**
- CLEMENTINE **E**
- NAVY **I**
- YELLOW **N**
- CERULEAN **S**
- FOREST GREEN **F**
- PERSIAN BLUE **J**
- PLATINUM **P**
- ORANGE **U**

**LAMINATE CHOICES**

- AMBER CHERRY **AME**
- GOLDEN OAK **GOK**
- PEWTER MESH **PEW**
- ASIAN NIGHT **ANG**
- GREY MESH **GRE**
- TAN ECHO **TAC**
- BLOND ECHO **BEE**
- GREY NEBULA **GNB**
- WILD CHERRY **CHE**
- FUSION MAPLE **MAP**
- NEW AGE OAK **NEW**

**UXL TOP & EDGE PROFILE**

