

# uxl 20" x 72"



• UXL Tables are standard with a 3/4" Bullet T-Mold top and fixed-height legs (FL).

model #: XL2072\_ \_ \_ \_ PLTFL

uxl 20" x 72" rectangle

**DIMENSIONS + FREIGHT:**

MODEL #	D"	W"	H"	F.C.	CUBE	WEIGHT
XL2072	20"	72"	29.5"	70	3.3	100 lbs.
carton	25"	75.3"	3"			

**OVERVIEW:**

The UXL line offers high schools and colleges a complete, integrated system for outfitting the entire school, from classrooms to commons.

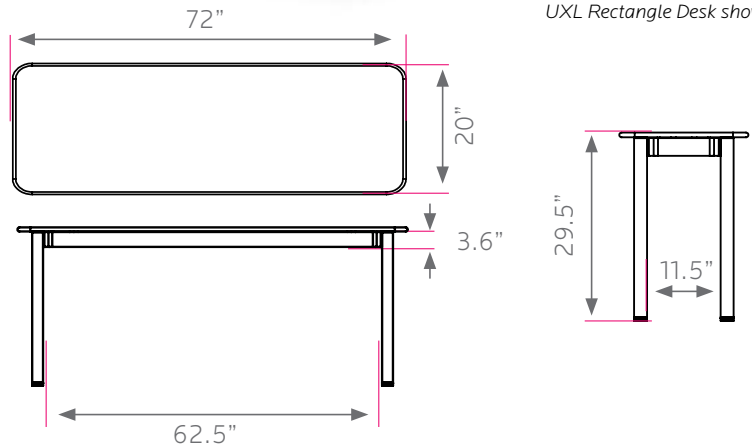
**MATERIALS:**

The 3/4" or 1 1/4" thick **WORK SURFACE** consists of a 45 lb density particle board core with a 0.030" high pressure laminated surface and a 0.020" melamine backer sheet. The edge of the work surface features edge molding that is mechanically fastened to the underside of the work surface every 6 to 8 inches to assure a long lasting fit.

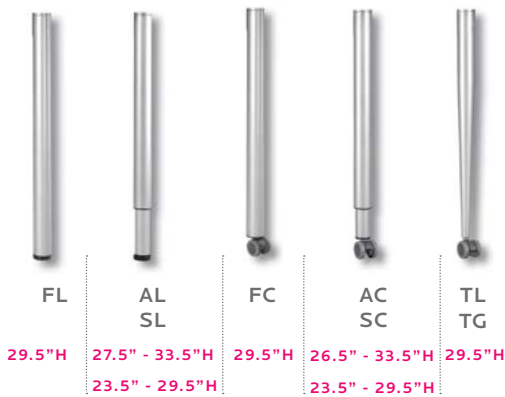
The frame is attached to the pre-drilled holes in the top with #10 x 5/8" screws. The legs then fasten into the frame at each corner. The frame comes fully assembled requiring only two bolts per leg to complete installation. The table frame is a boxed tube design made of aircraft grade aluminum to reduce weight, while being very stable and sturdy. The 16-gauge steel legs are 2" diameter and powder coated for a long lasting durable finish. Legs are available in different configurations, see chart.



\*XL2060, 20" x 60" UXL Rectangle Desk shown.



**UXL LEG OPTIONS**



**FRAME**

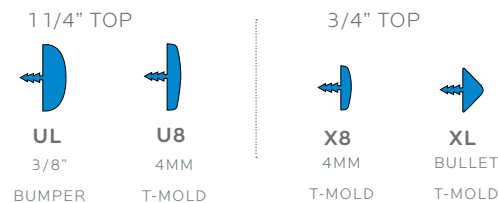
● PLATINUM **PLT**

Choose MODEL **7 8 9 10** PLT FL  
 Pick Laminate Color Pick Edge Color  
 Fixed-height (FL) leg set is standard. See page 99 to order optional leg sets.

**EDGE CHOICES**

● APPLE <b>A</b>	● CHAMPAGNE <b>O</b>	● FUCHSIA <b>G</b>	● PURPLE <b>K</b>
● BLACK <b>B</b>	● CHARCOAL <b>R</b>	● MINT <b>H</b>	● RED <b>L</b>
● BLUEBERRY <b>C</b>	● CHOCOLATE <b>Q</b>	● MOCHA <b>T</b>	○ WHITE <b>M</b>
● BURGUNDY <b>D</b>	● CLEMENTINE <b>E</b>	● NAVY <b>I</b>	● YELLOW <b>N</b>
● CERULEAN <b>S</b>	● FOREST GREEN <b>F</b>	● PERSIAN BLUE <b>J</b>	● PLATINUM <b>P</b>
● ORANGE <b>U</b>			

**UXL TOP & EDGE PROFILE**



**LAMINATE CHOICES**

● AMBER CHERRY <b>AME</b>	● GOLDEN OAK <b>GOK</b>	● PEWTER MESH <b>PEW</b>
● ASIAN NIGHT <b>ANG</b>	● GREY MESH <b>GRE</b>	● TAN ECHO <b>TAC</b>
● BLOND ECHO <b>BEE</b>	● GREY NEBULA <b>GNB</b>	● WILD CHERRY <b>CHE</b>
● FUSION MAPLE <b>MAP</b>	● NEW AGE OAK <b>NEW</b>	