

uxl 20" x 90"



• UXL Tables are standard with a 3/4" Bullet T-Mold top and fixed-height legs (FL).

model #: XL2090_---PLTFL

uxl 20" x 90" rectangle

DIMENSIONS + FREIGHT:

MODEL #	D"	W"	H"	F.C.	CUBE	WEIGHT
XL2090	20"	90"	29.5"	70	4.2	115 lbs.
carton	32"	93.3"	3"			

OVERVIEW:

The UXL line offers high schools and colleges a complete, integrated system for outfitting the entire school, from classrooms to commons.

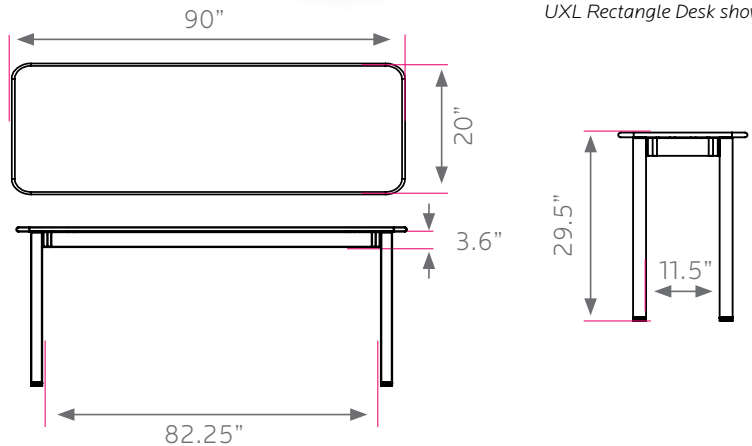
MATERIALS:

The 3/4" or 1 1/4" thick **WORK SURFACE** consists of a 45 lb density particle board core with a 0.030" high pressure laminated surface and a 0.020" melamine backer sheet. The edge of the work surface features edge molding that is mechanically fastened to the underside of the work surface every 6 to 8 inches to assure a long lasting fit.

The frame is attached to the pre-drilled holes in the top with #10 x 5/8" screws. The legs then fasten into the frame at each corner. The frame comes fully assembled requiring only two bolts per leg to complete installation. The table frame is a boxed tube design made of aircraft grade aluminum to reduce weight, while being very stable and sturdy. The 16-gauge steel legs are 2" diameter and powder coated for a long lasting durable finish. Legs are available in different configurations, see chart.



*XL2060, 20" x 60" UXL Rectangle Desk shown.



UXL LEG OPTIONS

FL	AL SL	FC	AC SC	TL TG
29.5"H	27.5" - 33.5"H	29.5"H	26.5" - 33.5"H	29.5"H
	23.5" - 29.5"H		23.5" - 29.5"H	

UXL TOP & EDGE PROFILE

1 1/4" TOP		3/4" TOP	
UL	U8	X8	XL
3/8"	4MM	4MM	BULLET
BUMPER	T-MOLD	T-MOLD	T-MOLD

FRAME

- PLATINUM **PLT**

EDGE CHOICES

- | | | | |
|----------------------|-------------------------|-------------------------|---------------------|
| ● APPLE A | ● CHAMPAGNE O | ● FUCHSIA G | ● PURPLE K |
| ● BLACK B | ● CHARCOAL R | ● MINT H | ● RED L |
| ● BLUEBERRY C | ● CHOCOLATE Q | ● MOCHA T | ○ WHITE M |
| ● BURGUNDY D | ● CLEMENTINE E | ● NAVY I | ● YELLOW N |
| ● CERULEAN S | ● FOREST GREEN F | ● PERSIAN BLUE J | ● PLATINUM P |
| ● ORANGE U | | | |

LAMINATE CHOICES

- | | | |
|---------------------------|--------------------------|--------------------------|
| ● AMBER CHERRY AME | ● GOLDEN OAK GOK | ● PEWTER MESH PEW |
| ● ASIAN NIGHT ANG | ● GREY MESH GRE | ● TAN ECHO TAC |
| ● BLOND ECHO BEE | ● GREY NEBULA GNB | ● WILD CHERRY CHE |
| ● FUSION MAPLE MAP | ● NEW AGE OAK NEW | |

Choose MODEL **7 8 9 10** PLT FL

Pick Laminate Color

Pick Edge Color

Fixed-height (FL) leg set is standard. See page 99 to order optional leg sets.