

uxl 48" round



- UXL Tables are standard with a 3/4" Bullet T-Mold top and fixed-height legs (FL).

model #: XL48RD___PLTFL

uxl 48" round

DIMENSIONS + FREIGHT:

MODEL #	D"	W"	H"	F.C.	CUBE	WEIGHT
XL48RD	48"	48"	29.5"	70	2.8	98 lbs.
carton	48"	48"	6.63"			

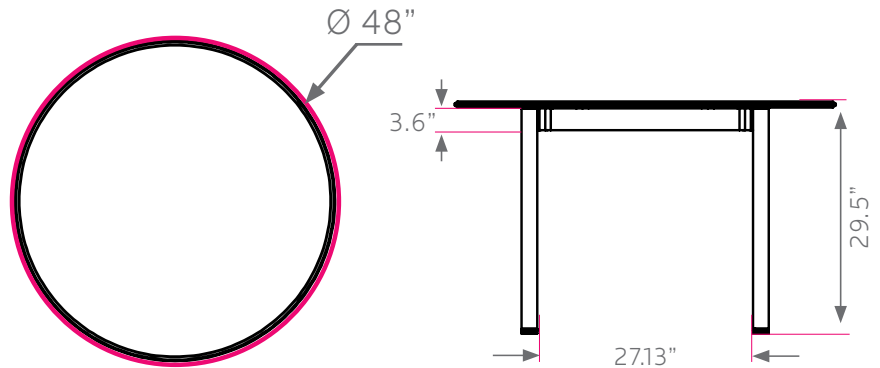
OVERVIEW:

The UXL line offers high schools and colleges a complete, integrated system for outfitting the entire school, from classrooms to commons.

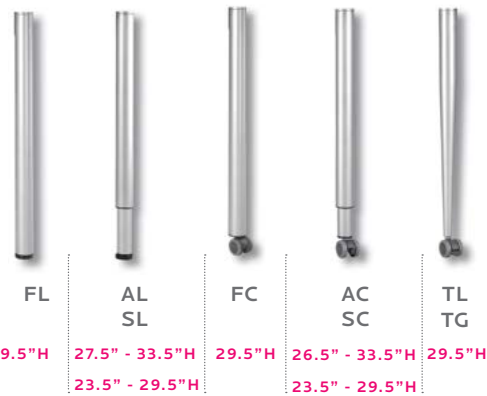
MATERIALS:

The 3/4" or 1 1/4" thick **WORK SURFACE** consists of a 45 lb density particle board core with a 0.030" high pressure laminated surface and a 0.020" melamine backer sheet. The edge of the work surface features edge molding that is mechanically fastened to the underside of the work surface every 6 to 8 inches to assure a long lasting fit.

The frame is attached to the pre-drilled holes in the top with #10 x 5/8" screws. The legs then fasten into the frame at each corner. The frame comes fully assembled requiring only two bolts per leg to complete installation. The table frame is a boxed tube design made of aircraft grade aluminum to reduce weight, while being very stable and sturdy. The 16-gauge steel legs are 2" diameter and powder coated for a long lasting durable finish. Legs are available in different configurations, see chart.



UXL LEG OPTIONS



UXL TOP & EDGE PROFILE



FRAME

- PLATINUM **PLT**

EDGE CHOICES

- | | | | |
|----------------------|-------------------------|-------------------------|---------------------|
| ● APPLE A | ● CHAMPAGNE O | ● FUCHSIA G | ● PURPLE K |
| ● BLACK B | ● CHARCOAL R | ● MINT H | ● RED L |
| ● BLUEBERRY C | ● CHOCOLATE Q | ● MOCHA T | ○ WHITE M |
| ● BURGUNDY D | ● CLEMENTINE E | ● NAVY I | ● YELLOW N |
| ● CERULEAN S | ● FOREST GREEN F | ● PERSIAN BLUE J | ● PLATINUM P |
| ● ORANGE U | | | |

LAMINATE CHOICES

- | | | |
|---------------------------|--------------------------|--------------------------|
| ● AMBER CHERRY AME | ● GOLDEN OAK GOK | ● PEWTER MESH PEW |
| ● ASIAN NIGHT ANG | ● GREY MESH GRE | ● TAN ECHO TAC |
| ● BLOND ECHO BEE | ● GREY NEBULA GNB | ● WILD CHERRY CHE |
| ● FUSION MAPLE MAP | ● NEW AGE OAK NEW | |

Choose MODEL **7 8 9 10** **PLT** **FL**

Pick Laminate Color

Pick Edge Color

Fixed-height (FL) leg set is standard. See page 99 to order optional leg sets.