

chat chair

model #: CH_1P_P_00

DIMENSIONS + FREIGHT:

MODEL #	D"	W"	H"	F.C.	CUBE	WEIGHT
CH1_P_P_0 nylon glide	24"	24.5"	18"	125		26 lbs.
CH2_P_P_0 felt glide	24"	24.5"	18"	125		26 lbs.
carton	31.5"	26"	40"			

OVERVIEW:

The Chat Chair is a new concept in seating, providing an option between lounge and classroom seating. The Chat Chair offers large dimensions, encouraging the student to engage in relaxed collaborative learning or social learning settings. The Chat Chair offers excellent flexibility: integrated casters provide easy mobility. It can be linked or positioned individually. Available in 14 colors with nylon or felt glides

MATERIALS:

The **SEAT AND BACK** are constructed of polypropylene. The welded frame is formed from 16 gauge steel and is available in a Platinum powdercoat finish. The 2.75" casters have a full bearing center for long lasting strength and ease of movement.

How to read a Chat™ Chair 10-digit Part Number

Here's our simple system for ordering Chat Chairs exactly the way you want them. Just decide what features and options you want, find them in the columns below and write them down in sequence.

1	2	3	4	5	6	7	8	9	10
C	H	1 or 2	1	P or F	Pick Color	P	Pick Color	0 or 1	0 or 1

1 2

Chair Type

CH = Chair

3

Chair Size/Type

1 = 18" high w/ nylon glide

2 = 18" high w/ felt glide

4

Frame Color

1 = Platinum

5

Seat Type

P = Poly

6

Seat Color

See Shell Color Chart

Choose 1 Letter

7

Back Type

P = Poly

8

Back Color

See Shell Color Chart

Choose 1 Letter

9

Screen

0 = No Screen

1 = Screen

10

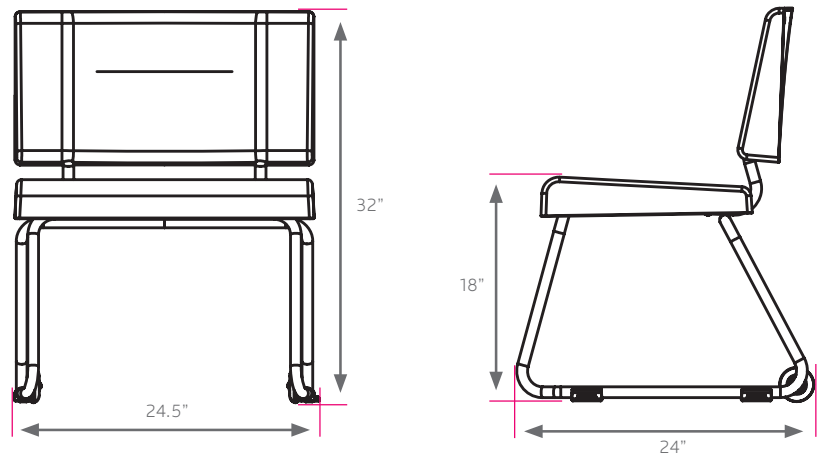
Power

0 = No Power



model #: CH11PBPB00

Chat Chair, nylon glides, Poly seat and back in Black.



Chat Chair Frame Color Options



PLATINUM
PLT

Chat Chair Shell Color Options



APPLE A



BLACK B



BLUEBERRY C



BURGUNDY D



CERULEAN S



CHOCOLATE Q



CLEMENTINE E



FOREST GREEN F



MINT H



MOCHA T



NAVY I



PERSIAN BLUE J



PURPLE K



RED L