

# planner lab corner station

model #: 24600

## planner lab corner station

### DIMENSIONS + FREIGHT:

MODEL #	D"	W"	H"	F.C.	CUBE	WEIGHT
24600	30"	48"	22" - 32"	70	5.8	114 lbs.

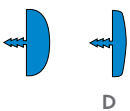
### OVERVIEW:

Planner Lab corner stations allow your computer lab to wrap into the corners of your classroom. The desk is built with Planner™ strength and stability. Manages cables while providing a snug fit against both walls.

The **WORK SURFACE** consists of a 1 1/4" thick, 45 lb density particle board core with a 0.030" high pressure laminated surface and a 0.020" backer sheet. The edge of the work surface features T-mold that is stapled to the underside of the work surface every 6"-8". The **LEG SYSTEM** is attached to the pre-drilled holes in the top with (12) #10 x 3/4" screws through a 3 1/8"W x 18"L 14-gauge steel mounting plate. The mounting plate is welded to (2) 1 1/4" square 14-gauge steel tube legs which is welded to a 1" square 14-gauge steel tube cross bar. The leg inserts are 1" square 14-gauge steel tube and adjust in height from 22" to 32" in 1" increments. The adjustment for each leg is secured with (2) 3/8" - 16 x .675" Allen screws. The right and left leg both include the Smith System patented **BACKPACK PEG** allowing for either inside or outside positioning. The legs are tied together for added strength with a 6" high 18-gauge steel panel and four connector bolts. Legs have 1" adjusting leveling glides. A **WIRE BASKET** that mounts under the work surface is included for wire management.

### PLANNER TOP & EDGE PROFILE

1 1/4" TOP



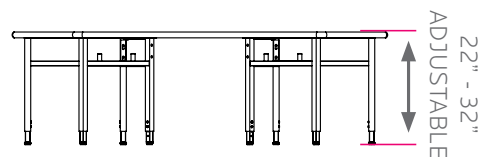
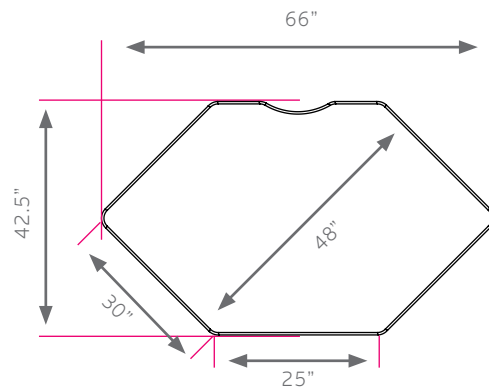
### OPTIONAL ACCESSORIES



#17350  
MONITOR MOUNT



Model 24600 Planner Lab Corner Station in Maple top, Black edge and Platinum frame.



## Frame Color Options



BLACK  
BLA



PLATINUM  
PLT

## Standard Laminate Options

Want to specify a different laminate?

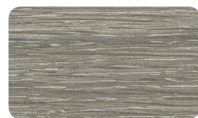
No problem. If you have 20 or more tops of the same color -60 or -38 there is no upcharge. Have 20 or less? We can quote for you with the Wilsonart code and – finish style. We can specify other laminates – call to inquire and get a quote.



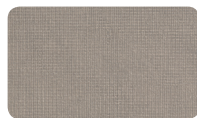
### Suggested Standard Laminates:



ASIAN NIGHT  
7949-60  
ANG



BOARDWALK OAK  
7983-60  
BWK



PEWTER MESH  
4878-60  
PEW



CLASSIC LINEN  
4943-60  
CLN



HIGH RISE  
4996-60  
HRE



BUKA BARK  
7982-60  
BBK



PALISADES OAK  
7987-60  
PSO



FLAX LINEN  
4990-60  
FLL



MISSION MAPLE  
7990-60  
MIM

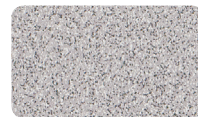


NEW AGE OAK  
7938-60  
NEW

### Classic Standard Laminates:



WILD CHERRY  
7054-60  
CHE



GREY NEBULA  
4622-60  
GNB



FUSION MAPLE  
7909-60  
MAP

All 13 of the standard laminates are -60 finish, if you need to match a laminate from a previous year, please let us know on your order (example Pewter Mesh 4878-38, our standard is -60).

When the WilsonArt Laminate code includes a "Y", "K", "-12" "-78", "Aeon" etc, these are special laminates with an upcharge, even when it contains -38 or -60.

## Standard Edge Color Options



APPLE A



BLACK B



BLUEBERRY C



BURGUNDY D



CERULEAN S



CHAMPAGNE O



CHARCOAL R



CHOCOLATE Q



CLEMENTINE E



FOREST GREEN F



FUCHSIA G



MINT H



MOCHA T



NAVY I



ORANGE U



PERSIAN BLUE J



PLATINUM P



PURPLE K



RED L



YELLOW N