

# desk fence

model #: DF\_ \_ \_ \_ \_

desk fence, privacy screen

**DIMENSIONS & FREIGHT:**

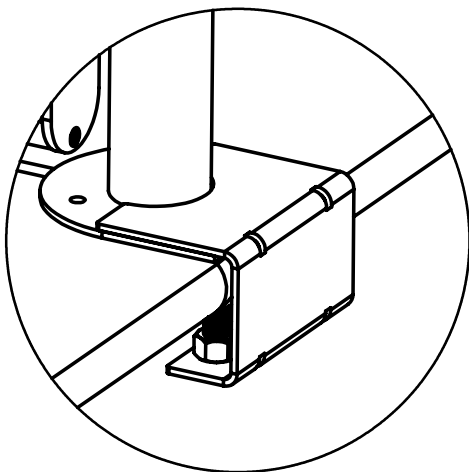
MODEL #	D"	W"	H"	F.C.	WEIGHT
DF24_ _	2"	24"	14"	70	4 lbs.
24"w carton	5.5"	28"	18"		
DF30_ _	2"	30"	14"	70	6 lbs.
30"w carton	5.5"	34"	18"		
DF36_ _	2"	36"	14"	70	8 lbs.
36"w carton	5.5"	40"	18"		
DF48_ _	2"	48"	14"	70	10 lbs.
48"w carton	5.5"	52"	18"		
DF60_ _	2"	60"	14"	70	12 lbs.
60"w carton	5.5"	64"	18"		

**OVERVIEW:**

Desk Fences filter light and define workstations, yet keep the area open and visible. Stations provide structured space for work on projects, group assignments and peer tutoring.

**MATERIALS:**

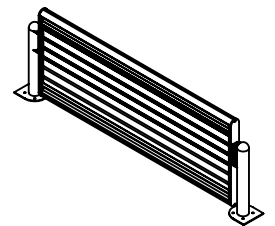
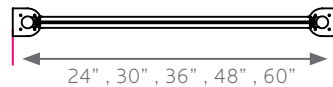
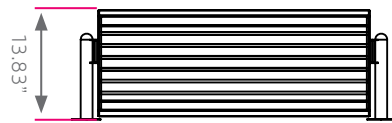
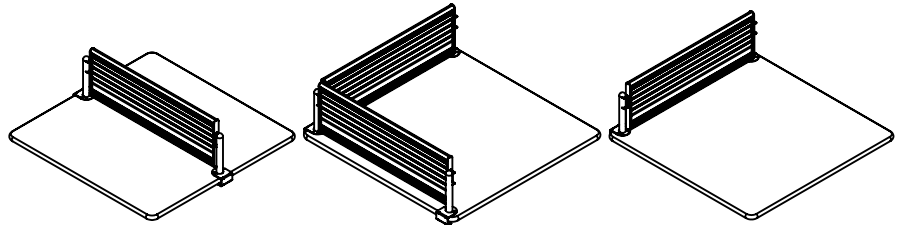
The rigid colored PVC insert filters light while defining the area. The steel support poles can either be permanently fixed with screws or attached using the supplied edge clamps for easy on and off installation and removal.



\*Support Pole clamp detail.



product layout options



**Support Poles**



PLATINUM  
PLT

**Desk Fence Color Options**



BLACK  
BLA



PLATINUM  
PLT