

flavors adjustable stool

model #: 11842, 11843



OVERVIEW:

Offering an adjustable chair and stool version of Flavors Seating was a must. After all, when you combine the little bit of flex in the back of the chair together with the ability to custom fit the chair height, the result is a very comfortable chair. It's a great option for use in computer labs, art rooms and offices.

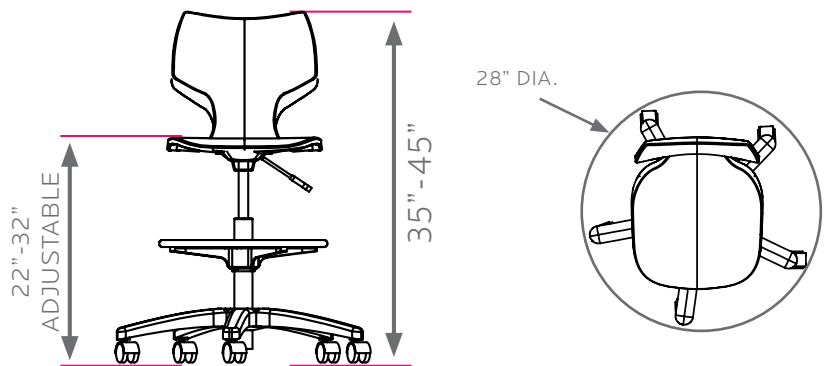
The **SHELL** is 100% virgin polypropylene material with a shallow seat pan allowing four-position seating for infinite seating styles. The back supplies rigid support while being specifically designed with added flexibility that adapts to individual requirements and supplies long lasting comfort. The shell includes an integrated handle molded in for easy movement of the chair.

The seat is secured to the **FRAME** with an 11-gauge plate mounted by 4 screws beneath the chair. The plate attaches to a pneumatic lift, which is a hydraulic cylinder that allows a full 360 degrees swivel. It comes with black nylon base with a 28.5" diameter 5-star design and in a choice of 2" soft tread casters or glides.

DIMENSIONS:

*UPS ELIGIBLE

MODEL #	D"	W"	H"	F.C.	CUBE	WEIGHT
11842 (casters)	28"	28"	22" - 32"	85	2.4	34 lbs.
11843 (glides)	28"	28"	22" - 32"	85	2.4	34 lbs.



5-star BASE



SHELL COLORS

