

flavors fixed-height stool

model #: 11889, 11890



OVERVIEW:

*BIFMA compliant.

Comfortable seat helps students keep proper posture and provides support for back and legs. Flat seat pan with waterfall front edge. Available in 2 sizes, 24"h and 28"h. Chair shell comes in 19 colors and frame in Chrome or Platinum w/ foot brace paint protector.

The **SHELL** is 100% virgin polypropylene material with a shallow seat pan allowing four-position seating for infinite seating styles. The back supplies rigid support while being specifically designed with added flexibility that adapts to individual requirements and supplies long lasting comfort. The shell includes an integrated handle molded in for easy movement of the chair.

The **FRAME** is constructed of strong 1" x 18-gauge tubing that is chrome plated for long lasting, durable finish is capped off with our durable nylon base swivel glides (steel and felt also available). The shell is attached to 16-gauge brackets via a metal to metal steel riveted connection and includes an integrated handle molded in for easy pick-up and moving of the chair.

OPTIONS:

Nylon glide is standard.

Felt glide option : Add 'F' to follow Model No.

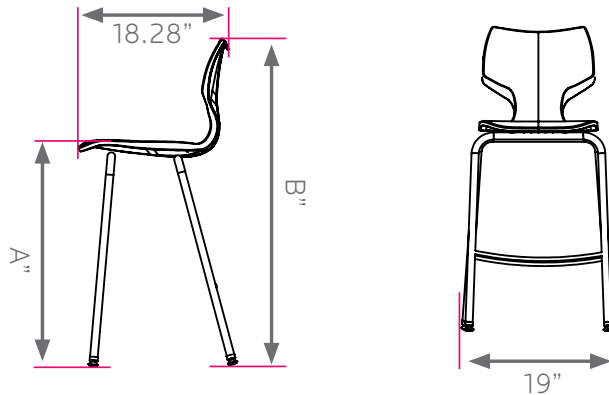
Steel glide option : Add 'S' to follow Model No.

(set of 4 installed - upcharge for felt or steel glide).

DIMENSIONS:

*UPS ELIGIBLE

MODEL #	SHELL (H")	D"	W"	H"(A)	H"(B)	F.C.	CUBE	WEIGHT
11889	A(24")	18.28"	19"	24"	38"	125	2.0	12 lbs.
11890	A(28")	18.28"	19"	28"	42"	125	2.0	13 lbs.
	carton dims	27.125"	21.5"	42.25"	29"			



frame COLORS



platinum



chrome

shell COLORS



apple



charcoal



purple



mocha



black



chocolate



red



white



blueberry



clementine



forest green



yellow



burgundy



navy



fuchsia



orange



cerulean



persian blue



mint