

# flex corner station

model #: 01379

## flex corner station

### DIMENSIONS + FREIGHT:

MODEL #	D"	W"	H"	F.C.	CUBE	WEIGHT
01379	34"	58"	24" - 32"	70	7.5	85
carton	37"	75"	7"			
17576	3" casters set of 4 lock		3"	70	0.2	3 lbs.
17554	4" casters set of 4, 2 lock		4"	70	0.3	4 lbs.

### OVERVIEW:

Flex Stations have an oversized work surface that accommodates laptop computers with built in Wire Manager, great for project learning environments.

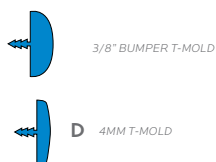
The 1 1/4" **WORK SURFACE** consists of a 45 lb density particle board core with a 0.030" high pressure laminated surface and a 0.020" melamine backer sheet. The edge of the work surface features a 3/8" t-mold edge that is mechanically fastened to the underside of the work surface every 6 to 8 inches to assure a long lasting fit. The top is pre-drilled for ease of installation.

The **FRAME** is attached to the pre-drilled holes in the top with (12) #10 x 3/4" screws through a 3"W x 18"L 14-gauge steel mounting plate. The mounting plate is welded to (2) 1" square 16-gauge steel Y-shaped tubes which are welded to a 1 1/4" x 2" 14-gauge vertical leg support. The legs adjust in height from 24" to 32" in 1" increments. The adjustment for each leg is secured with (2) 3 3/4" -16 x .675 allen screws. All open ends on the 16-gauge tubing will be capped with color matched plastic end caps. The bases have a color matched lockable end cap/glide combination that resists tampering. The right and left leg both include Smith System patented backpack peg allowing for either inside or outside positioning.

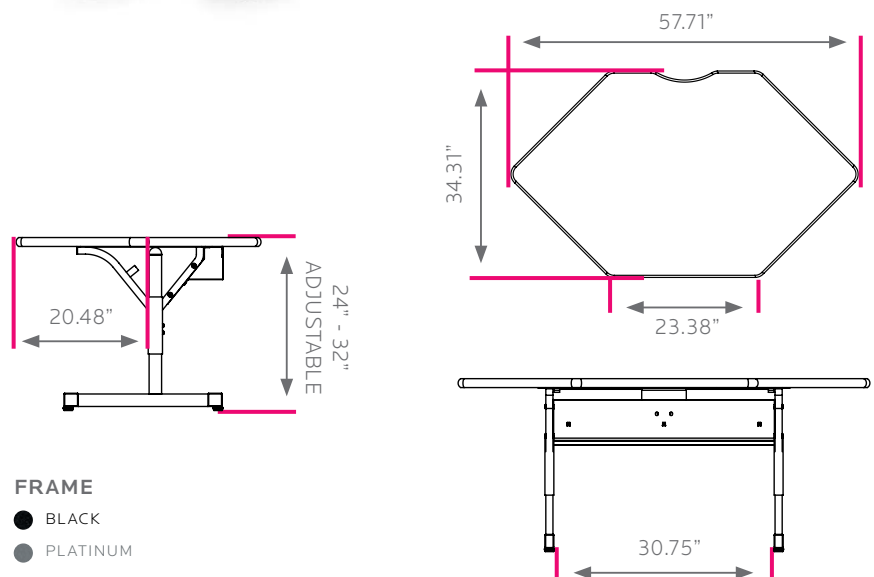
The 18 gauge steel **wire management** tray mounts under the work surface and hinges off the 10"h 16 gauge steel modesty panel. Cables drop through the work surface cut outs. Both the frame and legs will have Black or Platinum powder coat finish.

### FLEX STATION TOP & EDGE PROFILE

1 1/4" TOP



model #01379 flex corner station, shown in Maple top w/ Platinum edge and Platinum frame.



### FRAME

- BLACK
- PLATINUM

### EDGE CHOICES

- APPLE
- CHAMPAGNE
- FUCHSIA
- PURPLE
- BLACK
- CHARCOAL
- MINT
- RED
- BLUEBERRY
- CHOCOLATE
- MOCHA
- WHITE
- BURGUNDY
- CLEMENTINE
- NAVY
- YELLOW
- CERULEAN
- FOREST GREEN
- PERSIAN BLUE
- PLATINUM
- ORANGE

### LAMINATE CHOICES

- AMBER CHERRY
- GOLDEN OAK
- PEWTER MESH
- ASIAN NIGHT
- GREY MESH
- TAN ECHO
- BLOND ECHO
- GREY NEBULA
- WILD CHERRY
- FUSION MAPLE
- NEW AGE OAK