

# intuit adjustable stool

model #: 00540, 00541

*intuit adjustable stool (A+ shell)*

**DIMENSIONS + FREIGHT:** \*product is UPSable.

MODEL #	D"	W"	H"	F.C.	CUBE	WEIGHT
00540 (glides)	28"	28"	22" - 32"	85	2.1	37 lbs.
00541 (casters)	28"	28"	22" - 32"	85	2.1	37 lbs.

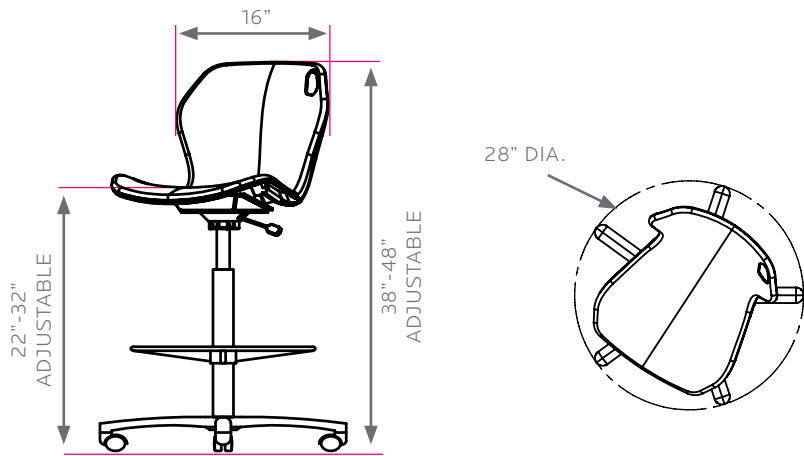
**OVERVIEW:**

The Intuit is our most ergonomic option with unmatched comfort and style. This adjustable stool allows you to move around freely and help maintain support for your back, legs and arms as you change body positions. It's shape was purely derived as an invitation to come sit and learn. Meanwhile, it's ample dimensions makes students of all sizes comfortable throughout the day. The Intuit chair is the latest expression of furniture that contributes to a healthy, effective learning environment.

**MATERIALS:**

The **SHELL** is 100% virgin polypropylene material with color throughout and a distinct texture to prevent slipping. The free flowing design of the Intuit comes from the innovative use of Gas Injection Technology. The integrated handle eases classroom positioning.

The shell is anchored securely to the **FRAME** with an 11-gauge plate mounted by 4 screws beneath the chair. The plate attaches to a pneumatic lift, which is a hydraulic cylinder that adjusts from 22" - 32" in height. The lift also allows a full 360 degrees of swivel. The **BASE** has a 28" diameter 5-star design for added stability. The base comes in black nylon, featuring a foot ring and a choice of glides or 2" soft tread casters.



**5-STAR BASE**

- BLACK

**SHELL**

- APPLE
- CHARCOAL
- MINT
- RED
- BLACK
- CHOCOLATE
- MOCHA
- WHITE
- BLUEBERRY
- CLEMENTINE
- NAVY
- YELLOW
- BURGUNDY
- FOREST GREEN
- PERSIAN BLUE
- CERULEAN
- FUCHSIA
- PURPLE