

planner activity table: 48" square

model #: 25610

planner activity table 48" square

DIMENSIONS + FREIGHT:

MODEL #	D"	W"	H"	F.C.	CUBE	WEIGHT
25610	48"	48"	24" - 34"	70	4.8	133 lbs.

- * Low range available in 15-24"h. Add **L** following model number.
- * Fixed-height leg available in 29.5"h. Add **X** following model number. Available in Black only.

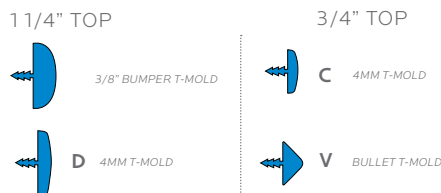
OVERVIEW:

The Planner is ideal for all kinds of classroom activities. The heavy duty construction contributes to a sturdy work surface that can hold 400 pounds. The Planner Activity table is shipped ready to assemble.

The 1 1/4" or 3/4" thick work surface consists of 45 lb. density particle board core with a .030" high-pressure laminated surface and a .020" melamine backer sheet. The edge of the work surface features t-mold of your choice that is mechanically fastened every 6 to 8 inches to assure a long lasting fit. The top is pre-drilled for ease of installation.

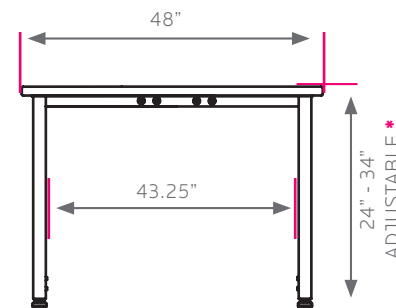
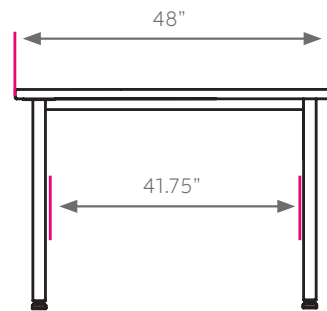
The frame consists of two fully welded leg segments and a center support channel. The legs are attached to the pre-drilled holes in the top with (16) #10 x 5/8" wood screws through a 3 1/8" w x 18"L 12-gauge steel mounting plate. The mounting plate is welded to (2) 1 1/4" square 12-gauge steel tube legs which is welded to a 1" x 2" 14-gauge steel tube cross bar. The leg inserts are 1" square 14-gauge steel tube and adjust in height from 24" to 34" in 1" increments. Leveling glides are on each table leg allowing for stability on uneven floors. The adjustment for each leg is secured with (2) 3 3/4" -16 x .675" Allen screws. The 2 center support channels are 2" x 3" 14-gauge steel, with 11-gauge steel end plates for maximum stability. The 2 center support channels are connected to the legs by (8) connector bolts.

PLANNER DESK TOP & EDGE PROFILE



42" & 48" deep Models

Two 2" x 3" 14-gauge steel support channels with 11-gauge steel endplates provide maximum stability.



*see catalog for all optional parts & accessories.

Frame Color Options



BLACK

BLA



PLATINUM

PLT

Alternate leg set heights:

- * Low range available in 15-24"h.
Add **L** following model number.
- * Fixed-height leg available in 29.5"h.
Add **X** following model number.
Available in Black only.

Standard Laminate Options

Want to specify a different laminate?

No problem. If you have 20 or more tops of the same color -60 or -38 there is no upcharge. Have 20 or less? We can quote for you with the Wilsonart code and – finish style. We can specify other laminates – call to inquire and get a quote.

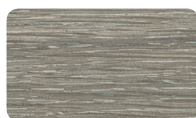


Suggested Standard Laminates:



ASIAN NIGHT
7949-60

ANG



BOARDWALK OAK
7983-60

BWK



PEWTER MESH
4878-60

PEW



CLASSIC LINEN
4943-60

CLN



HIGH RISE
4996-60

HRE



BUKA BARK
7982-60

BBK



PALISADES OAK
7987-60

PSO



FLAX LINEN
4990-60

FLL



MISSION MAPLE
7990-60

MIM



NEW AGE OAK
7938-60

NEW

Classic Standard Laminates:



WILD CHERRY
7054-60

CHE



GREY NEBULA
4622-60

GNB



FUSION MAPLE
7909-60

MAP

All 13 of the standard laminates are -60 finish, if you need to match a laminate from a previous year, please let us know on your order (example Pewter Mesh 4878-38, our standard is -60).

When the WilsonArt Laminate code includes a "Y", "K", "-12" "-78", "Aeon" etc, these are special laminates with an upcharge, even when it contains -38 or -60.

Standard Edge Color Options



APPLE **A**



BLACK **B**



BLUEBERRY **C**



BURGUNDY **D**



CERULEAN **S**



CHAMPAGNE **O**



CHARCOAL **R**



CHOCOLATE **Q**



CLEMENTINE **E**



FOREST GREEN **F**



FUCHSIA **G**



MINT **H**



MOCHA **T**



NAVY **I**



ORANGE **U**



PERSIAN BLUE **J**



PLATINUM **P**



PURPLE **K**



RED **L**



YELLOW **N**