

planner 'breakaway peninsula'

model #: 26000

planner 'breakaway peninsula'
conference table

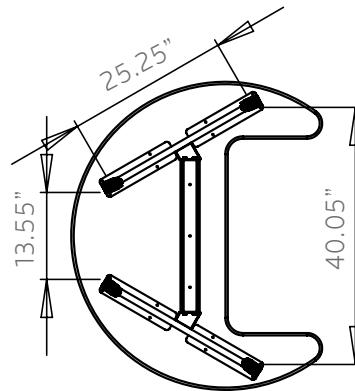
DIMENSIONS + FREIGHT:

MODEL #	D"	W"	H"	F.C.	CUBE	WEIGHT
26000	39.1"	48"	27"-33"	70		94 lbs.
carton	48.4"	48.4"	3"			
carton	28"	24"	5"			

OVERVIEW:

The Breakaway Peninsula table is a versatile desk designed for today's dynamic classroom environment. When paired with any one of our standard 30" tables, the Breakaway Peninsula provides additional work surface. When separated, the Breakaway desk is perfect for one-on-one teacher and student consultations for day-to-day school work, after-school tutorials or student progress reviews. Additionally, this desk can also be utilized as a teacher's aide desk or a student presentation table for the entire class.

The work surface comes in either 1 1/4" or 3/4" thickness and consists of a 45-lb high density particle board core with a .030" high-pressure laminated surface. The top is supported by a pair of our strongest leg sets and a connecting support channel. 3" dual wheel casters with adjustable inserts are included for effortless mobility. The Breakaway Peninsula adjusts in height from 27"-33".

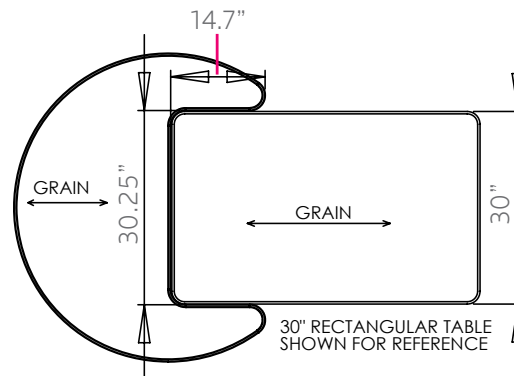


DISTANCE BETWEEN LEGS

PLANNER DESK TOP & EDGE PROFILE

1 1/4" TOP

3/4" TOP



*see catalog for all optional parts & accessories.

Frame Color Options



BLACK
BLA



PLATINUM
PLT

Standard Laminate Options

Want to specify a different laminate?

No problem. If you have 20 or more tops of the same color -60 or -38 there is no upcharge. Have 20 or less? We can quote for you with the Wilsonart code and – finish style. We can specify other laminates – call to inquire and get a quote.



Suggested Standard Laminates:



ASIAN NIGHT
7949-60
ANG



BOARDWALK OAK
7983-60
BWK



PEWTER MESH
4878-60
PEW



CLASSIC LINEN
4943-60
CLN



HIGH RISE
4996-60
HRE



BUKA BARK
7982-60
BBK



PALISADES OAK
7987-60
PSO



FLAX LINEN
4990-60
FLL



MISSION MAPLE
7990-60
MIM



NEW AGE OAK
7938-60
NEW

Classic Standard Laminates:



WILD CHERRY
7054-60
CHE



GREY NEBULA
4622-60
GNB



FUSION MAPLE
7909-60
MAP

All 13 of the standard laminates are -60 finish, if you need to match a laminate from a previous year, please let us know on your order (example Pewter Mesh 4878-38, our standard is -60).

When the WilsonArt Laminate code includes a "Y", "K", "-12" "-78", "Aeon" etc, these are special laminates with an upcharge, even when it contains -38 or -60.

Standard Edge Color Options



APPLE A



BLACK B



BLUEBERRY C



BURGUNDY D



CERULEAN S



CHAMPAGNE O



CHARCOAL R



CHOCOLATE Q



CLEMENTINE E



FOREST GREEN F



FUCHSIA G



MINT H



MOCHA T



NAVY I



ORANGE U



PERSIAN BLUE J



PLATINUM P



PURPLE K



RED L



YELLOW N