

planner teacher desk

model #: 24000-24001

single-pedestal (left or right hand)

DIMENSIONS + FREIGHT:

MODEL #	D"	W"	H"	F.C.	CUBE	WEIGHT
24000 LH	30"	48"	29"	70		130 lbs.
24001 RH	30"	48"	29"	70		130 lbs.
carton 1	leg set and modesty panel					
carton 2	top w/ plate pre-attached					
carton 3	drawer pedestal assembled					

OVERVIEW:

The Single Ped Planner Teacher desk is our most robust and durable product yet. It's packaging is compact, assembly is painless and the durability and integrity are ideal features of a teacher suite product.

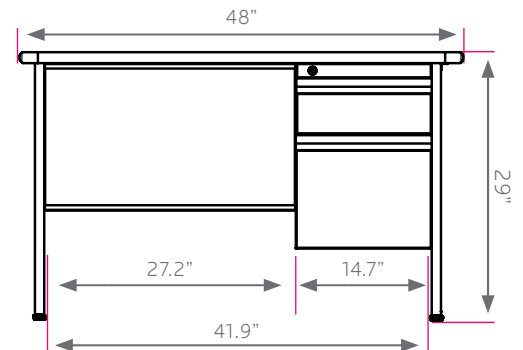
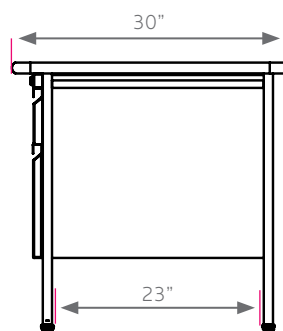
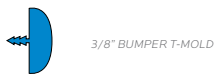
The 1 1/4" thick **WORK SURFACE** consists of a 45 lb. density particle board core with a .030" high-pressure laminated surface and a .020" melamine backer sheet. The edge of the work surface features a bumper edge molding (choices listed below) that is mechanically fastened every 6 to 8 inches to assure a long lasting fit.

The Teacher Desk has a suspended file drawer pedestal with all welded steel construction. Box and file have full extension steel ball bearing slides for complete access and quiet operation. Pedestal has single lock and full width flush pulls for easy use. File drawers have full height sides for hanging files.

The post leg end pairs are fully welded. Each pair is constructed of 1" x 2" 14-gauge cross support tube welded to 1"-square 14-gauge corner legs. Leg ends attach to drawer pedestal housings for rigidity. 1" adjustable leveling glides provide stability on uneven floors. Steel components have tough powder coat finish.

PLANNER TEACHER TOP & EDGE PROFILE

1 1/4" TOP



FRAME

- BLACK
- PLATINUM

EDGE CHOICES

- APPLE
- CHAMPAGNE
- FUCHSIA
- PURPLE
- BLACK
- CHARCOAL
- MINT
- RED
- BLUEBERRY
- CHOCOLATE
- MOCHA
- WHITE
- BURGUNDY
- CLEMENTINE
- NAVY
- YELLOW
- CERULEAN
- FOREST GREEN
- PERSIAN BLUE
- PLATINUM
- ORANGE

LAMINATE CHOICES

- AMBER CHERRY
- GOLDEN OAK
- PEWTER MESH
- ASIAN NIGHT
- GREY MESH
- TAN ECHO
- BLOND ECHO
- GREY NEBULA
- WILD CHERRY
- FUSION MAPLE
- NEW AGE OAK

*see catalog for all optional parts & accessories.