

plato fixed-height stool - 28"h

model #: 00980

plato fixed-height stool (28"h)

DIMENSIONS + FREIGHT:

MODEL #	D"	W"	H"	F.C.	CUBE	WEIGHT
00980	21.5"	19.5"	28"	125	3.4	18 lbs.

OVERVIEW:

The Plato Stool provides roominess to today's growing students through its oversized seat pan, which also allows the student to comfortably face front and both sides. The seatback offers some flex front-to-back and provides pronounced lumbar support, encouraging good posture and breathing. It's fresh, yet familiar shape connotes comfort to the student.

MATERIALS:

The **SHELL** is 100% virgin polypropylene material with a shallow seat pan allowing side-to-side movement. The back has integrated lumbar support for optimum comfort and minimal back pressure.

The **FRAME** is constructed of strong 1" x 18-gauge tubing that is chrome plated for a long lasting, durable finish and is capped at the ends with our durable outside hold nylon base glides (with steel and felt as options). The shell is attached to 14-gauge brackets via metal to metal riveted steel connection. Legs are swagged.

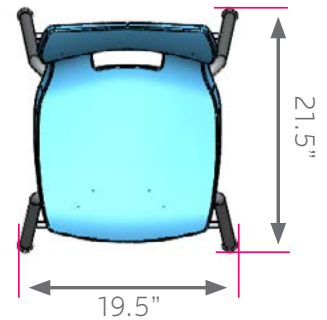
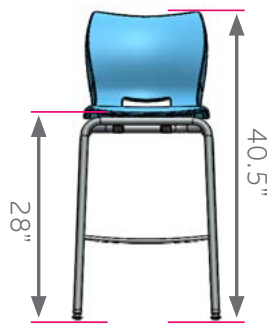
OPTIONS:

Nylon glide is standard.

Felt glide option : Add 'F' to follow Model No.

Steel glide option : Add 'S' to follow Model No.

(set of 4 installed - upcharge for felt or steel glide).



#00981 (24"h) vs. #00980 (28"h)

FRAME

- CHROME

SHELL

- APPLE
- CHARCOAL
- MINT
- RED
- BLACK
- CHOCOLATE
- MOCHA
- WHITE
- BLUEBERRY
- CLEMENTINE
- NAVY
- YELLOW
- BURGUNDY
- FOREST GREEN
- PERSIAN BLUE
- CERULEAN
- FUCHSIA
- PURPLE