

plato p-tablet arm chair

model #: 00975, 00976



DIMENSIONS + FREIGHT: *product is UPSable.

MODEL #	D"	W"	H"	F.C.	CUBE	WEIGHT
00975 (right-hand)	28.5"	22"	30"	125	6.3	15 lbs.
00976 (left-hand)	28.5"	22"	30"	125	6.3	15 lbs.

OVERVIEW:

The Plato Chair is a posture demanding chair based on the Euro Spec. The Plato offers a wide seat pan and lumbar support designed to comply with current anthropometric data for improved ergonomics. P-Tablet available in 13 laminate choices, 20 edge colors and chrome frame.

MATERIALS:

The **SHELL** is 100% virgin polypropylene material with a shallow seat pan allowing side-to-side movement. The back has integrated lumbar support for optimum comfort and minimal back pressure.

The **FRAME** is constructed of strong 1" x 18-gauge tubing that is chrome plated for a long lasting, durable finish and is capped at the ends with our durable outside hold nylon base glides (with steel and felt as options). The shell is attached to 14-gauge brackets via metal to metal riveted steel connection.

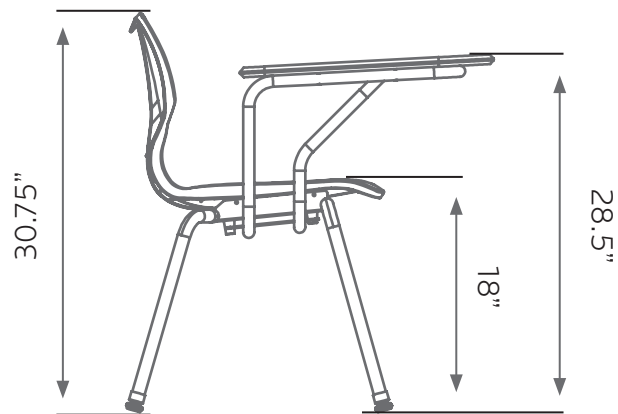
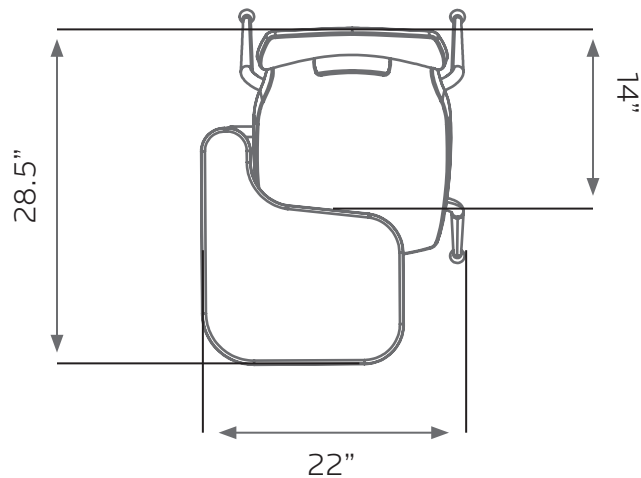
The **P-TABLET Attachment** is constructed from a 7/8" diameter x 16-gauge steel tubing frame attached to a 12-gauge steel plate with a chrome finish. The P-Tablet frame is securely fastened to the steel chair frame using 4 machine screws. The **laminated P-TABLET TOP** is made of 3/4" thick high density particle board core, with laminate and edge color choices. The P-Tablet top fastens securely to the frame using 8 wood screws through clamps. The 'belly room' gap between the Tablet and seat back is roughly 14". *Please note this measurement can be adjusted to your preference on site at install.

OPTIONS:

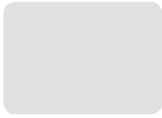
Nylon glide is standard.

Felt glide option : Add 'F' to follow Model No.
 Steel glide option : Add 'S' to follow Model No.

(set of 4 installed - upcharge for felt or steel glide).



P-Tablet Frame Color Options



CHROME
CHR

top & edge
PROFILE



3/4" TOP

Standard Laminate Options

Want to specify a different laminate?

No problem. If you have 20 or more tops of the same color -60 or -38 there is no upcharge. Have 20 or less? We can quote for you with the Wilsonart code and – finish style. We can specify other laminates – call to inquire and get a quote.



Suggested Standard Laminates:



Classic Standard Laminates:



All 13 of the standard laminates are -60 finish, if you need to match a laminate from a previous year, please let us know on your order (example Pewter Mesh 4878-38, our standard is -60).

When the WilsonArt Laminate code includes a "Y", "K", "-12" "-78", "Aeon" etc, these are special laminates with an upcharge, even when it contains -38 or -60.

Standard Shell & Edge Color Options



*Edge only options