

plato p-tablet arm chair

model #: 00975, 00976

OVERVIEW:

The Plato Chair is a posture demanding chair based on the Euro Spec. The Plato offers a wide seat pan and lumbar support designed to comply with current anthropometric data for improved ergonomics. P-Tablet available in 10 laminate choices, 20 edge colors and chrome frame.

MATERIALS:

The **SHELL** is 100% virgin polypropylene material with a shallow seat pan allowing side-to-side movement. The back has integrated lumbar support for optimum comfort and minimal back pressure.

The **FRAME** is constructed of strong 1" x 18-gauge tubing that is chrome plated for a long lasting, durable finish and is capped at the ends with our durable outside hold nylon base glides (with steel and felt as options). The shell is attached to 14-gauge brackets via metal to metal riveted steel connection. Legs are swedged.

The **P-TABLET Attachment** is constructed from a 7/8" diameter x 16-gauge steel tubing frame attached to a 12-gauge steel plate with a chrome finish. The P-Tablet frame is securely fastened to the steel chair frame using 4 machine screws. The **laminated P-TABLET TOP** is made of 3/4" thick high density particle board core, with laminate and edge color choices. The P-Tablet top fastens securely to the frame using 8 wood screws through clamps. The 'belly room' gap between the Tablet and seat back is roughly 14". *Please note this measurement can be adjusted to your preference on site at install.

OPTIONS:

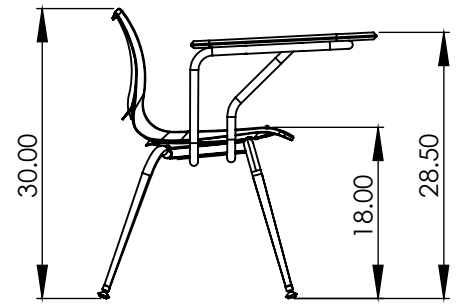
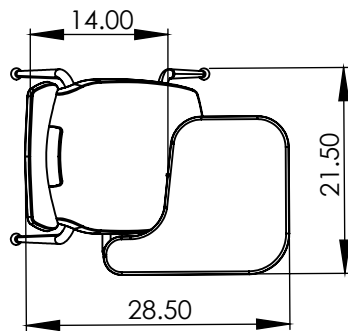
Nylon glide is standard.

Felt glide option : Add 'F' to follow Model No.
Steel glide option : Add 'S' to follow Model No.

(set of 4 installed - upcharge for felt or steel glide).

TOP & EDGE PROFILE

3/4" TOP



DIMENSIONS + FREIGHT: * product is UPSable.

MODEL #	D"	W"	H"	F.C.	CUBE	WEIGHT
00975 (right-hand)	28.5"	22"	30"	125	6.3	15 lbs.
00976 (left-hand)	28.5"	22"	30"	125	6.3	15 lbs.

FRAME

CHROME

LAMINATE CHOICES

- AMBER CHERRY **AME**
- GOLDEN OAK **GOK**
- PEWTER MESH **PEW**
- ASIAN NIGHT **ANG**
- GREY MESH **GRE**
- TAN ECHO **TAC**
- BLOND ECHO **BEE**
- GREY NEBULA **GNB**
- WILD CHERRY **CHE**
- FUSION MAPLE **MAP**
- NEW AGE OAK **NEW**

SHELL & EDGE

- APPLE **A**
 - CHARCOAL **R**
 - MINT **H**
 - RED **L**
 - BLACK **B**
 - CHOCOLATE **Q**
 - MOCHA **T**
 - WHITE **M**
 - BLUEBERRY **C**
 - CLEMENTINE **E**
 - NAVY **I**
 - YELLOW **N**
 - BURGUNDY **D**
 - FOREST GREEN **F**
 - PERSIAN BLUE **J**
 - FUCHSIA **G**
 - PURPLE **K**
- Edge only:**
- PLATINUM **P**
 - CHAMPAGNE **O**