

uxl nest & fold chair

model #: NF187F_P_

uxl nest & fold chair

DIMENSIONS + FREIGHT: *product is UPSable.

MODEL #	D"	W"	H"	F.C.	WEIGHT
NF187F_P_	22.64	21.25	18	125	14 lbs.

OVERVIEW:

The UXL line of seating is highly customizable with over 17 mix and match seat and seat back colors. The UXL Nest & Fold chair conveniently nests into other UXL Nest & Fold chairs for storage. The fabric seat pan folds upward into the seatback to allow this. Nest & Fold chairs come equipped with casters and a fabric seat (available in 17 colors).

MATERIALS:

The **CHAIR FRAME** is 0.59" x 1.18" x 0.078" thick oval shaped cold rolled steel tube and 0.75" diameter x 0.078" thick round steel tube. The frame is fully welded and has a platinum powder-coat paint finish.

The **BACKREST** is made from 100% virgin polypropylene material with high impact strength. The backrest is supported with a metal bar insert that provides extreme back support. The Nest & Fold seat is a fabric material that provides comfort and support. The durable casters maintain mobility by maneuvering easily on all different types of surfaces.

OPTIONS:

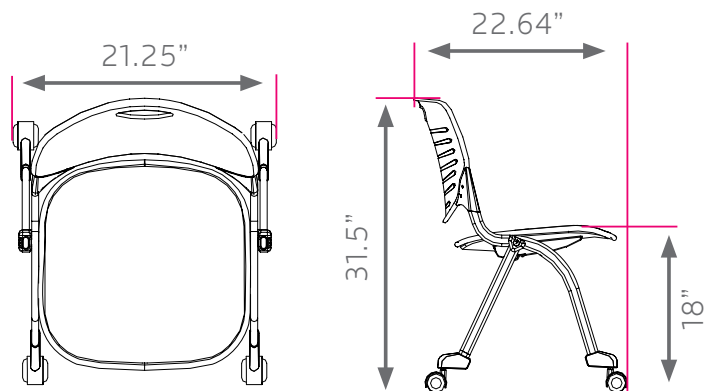
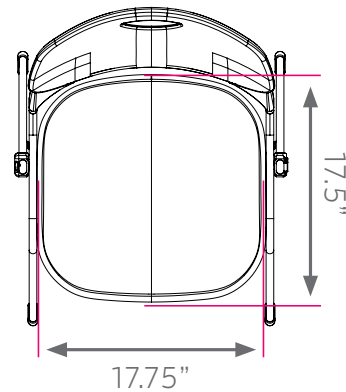
Add a **LEFT & RIGHT ARMS** to UXL Nest & Fold Chairs for a pair of platinum padded arm rests to maximize comfort.

Left & Right Arms, add 'LR' to end.
NF187F_P_LR



+ LR

Shown w/ optional Left & Right Arm



UXL Nest & Fold Chair Frame



PLATINUM
PLT

UXL Nest & Fold: Shell + Fabric Color Options



APPLE A



BLACK B



BLUEBERRY C



BURGUNDY D



CERULEAN S



* CHARCOAL R



CHOCOLATE Q



CLEMENTINE E



FOREST GREEN F



FUCHSIA G



MINT H



MOCHA T



NAVY I



PERSIAN BLUE J



PURPLE K



RED L



YELLOW N

* CHARCOAL AVAILABLE IN POLY ONLY
- NO FABRIC.