

uxl p-tablet arm chair

model #: XL183P_P_NT & XL183P_P_TN

uxl p-tablet arm chair, right & left

DIMENSIONS + FREIGHT:

MODEL #	D"	W"	H"	F.C.	CUBE	WEIGHT
XL183P_P_NT right / glides	30	25	18	125	6.3	24 lbs.
XL183P_P_TN left / glides	30	25	18	125	6.3	24 lbs.
XL187P_P_NT right / casters	30	25	18	125	6.3	24 lbs.
XL187P_P_TN left / casters	30	25	18	125	6.3	24 lbs.

MATERIALS:

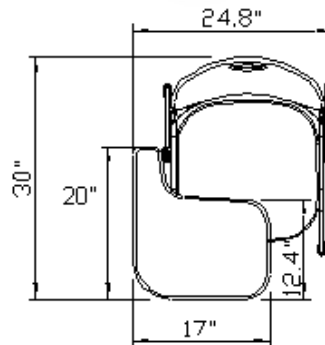
The **CHAIR FRAME** is 0.59" x 1.18" x 0.078" thick DD oval shaped cold rolled steel tube and 0.75" diameter x 0.078" thick round steel tube fully welded with a platinum powdercoat paint finish.

The **BACKREST AND SEAT** are made of 100% virgin polypropylene material with high impact strength. The Backrest is supported with a metal bar insert that provides very strong support. Backrest and seat available in 17 colors.

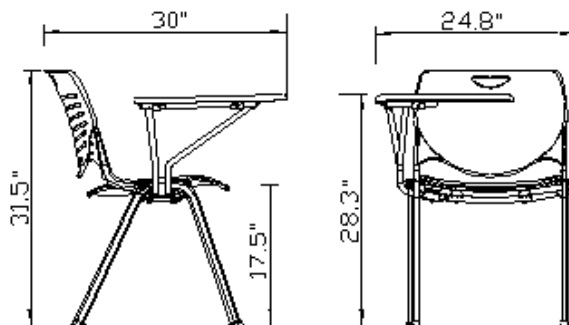
The **P-SHAPED WRITING TABLET** is made of particle board with a .030" high pressure laminated surface and a .020" melamine backer sheet. The edge of the work surface features a bumper edge that is mechanically fastened every 6 to 8 inches to ensure a long lasting fit. The dimension of the tablet is 20"D x 17"W x 3/4" thick. The tablet support arm is made of round shaped cold rolled steel tube and comes with a powdercoat paint finish, available in both right and left hand configurations.

OPTIONS:

Add a **UXL BOOKBASKET, #77930 PLT** to a UXL Foldaway Tablet Chair for a convenient storage solution for the classroom.



#77930 PLT



UXL P-Tablet Frame Color Options



PLATINUM
PLT

top & edge
PROFILE



3/4" TOP

Standard Laminate Options

Want to specify a different laminate?

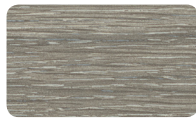
No problem. If you have 20 or more tops of the same color -60 or -38 there is no upcharge. Have 20 or less? We can quote for you with the Wilsonart code and – finish style. We can specify other laminates – call to inquire and get a quote.



Suggested Standard Laminates:



ASIAN NIGHT
7949-60
ANG



BOARDWALK OAK
7983-60
BWK



PEWTER MESH
4878-60
PEW



CLASSIC LINEN
4943-60
CLN



HIGH RISE
4996-60
HRE



BUKA BARK
7982-60
BBK



PALISADES OAK
7987-60
PSO



FLAX LINEN
4990-60
FLL



MISSION MAPLE
7990-60
MIM



NEW AGE OAK
7938-60
NEW

Classic Standard Laminates:



WILD CHERRY
7054-60
CHE



GREY NEBULA
4622-60
GNB



FUSION MAPLE
7909-60
MAP

All 13 of the standard laminates are -60 finish, if you need to match a laminate from a previous year, please let us know on your order (example Pewter Mesh 4878-38, our standard is -60).

When the WilsonArt Laminate code includes a "Y", "K", "-12" "-78", "Aeon" etc, these are special laminates with an upcharge, even when it contains -38 or -60.

Standard Shell & Edge Color Options



APPLE A



BLACK B



BLUEBERRY C



BURGUNDY D



CERULEAN S



CHARCOAL R



CHOCOLATE Q



CLEMENTINE E



FOREST GREEN F



FUCHSIA G



MINT H



MOCHA T



NAVY I



PERSIAN BLUE J



PURPLE K



RED L



YELLOW N



WHITE M



ORANGE U



PLATINUM P



CHAMPAGNE O

*Edge only options