

uxl p-tablet arm chair

model #: XL183P_P_NT & XL183P_P_TN

uxl p-tablet arm chair, right & left

DIMENSIONS + FREIGHT:

MODEL #	D"	W"	H"	F.C.	CUBE	WEIGHT
XL183P_P_NT right / glides	30	25	18	125	6.3	24 lbs.
XL183P_P_TN left / glides	30	25	18	125	6.3	24 lbs.
XL187P_P_NT right / casters	30	25	18	125	6.3	24 lbs.
XL187P_P_TN left / casters	30	25	18	125	6.3	24 lbs.

MATERIALS:

The **CHAIR FRAME** is 0.59" x 1.18" x 0.078" thick DD oval shaped cold rolled steel tube and 0.75" diameter x 0.078" thick round steel tube fully welded with a platinum powdercoat paint finish.

The **BACKREST AND SEAT** are made of 100% virgin polypropylene material with high impact strength. The Backrest is supported with a metal bar insert that provides very strong support. Backrest and seat available in 17 colors.

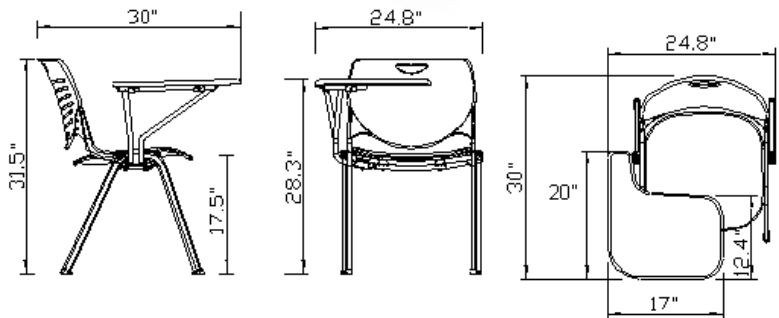
The **P-SHAPED WRITING TABLET** is made of particle board with a .030" high pressure laminated surface and a .020" melamine backer sheet. The edge of the work surface features a bumper edge that is mechanically fastened every 6 to 8 inches to ensure a long lasting fit. The dimension of the tablet is 20"D x 17"W x 3/4" thick. The tablet support arm is made of round shaped cold rolled steel tube and comes with a powdercoat paint finish, available in both right and left hand configurations.

OPTIONS:

Add a **UXL BOOKBASKET, #77930 PLT** to a UXL Foldaway Tablet Chair for a convenient storage solution for the classroom.



#77930 PLT



FRAME

- PLATINUM

LAMINATE CHOICES

- AMBER CHERRY **AME**
- ASIAN NIGHT **ANG**
- BLOND ECHO **BEE**
- FUSION MAPLE **MAP**
- GOLDEN OAK **GOK**
- GREY MESH **GRE**
- GREY NEBULA **GNB**
- NEW AGE OAK **NEW**
- PEWTER MESH **PEW**
- TAN ECHO **TAC**
- WILD CHERRY **CHE**

SHELL & EDGE COLOR CHOICE

- APPLE **A**
 - BLACK **B**
 - BLUEBERRY **C**
 - BURGUNDY **D**
 - CERULEAN **S**
 - CHOCOLATE **Q**
 - CLEMENTINE **E**
 - FOREST GREEN **F**
 - FUCHSIA **G**
 - MINT **H**
 - MOCHA **T**
 - NAVY **I**
 - PERSIAN BLUE **J**
 - PURPLE **K**
 - RED **L**
 - WHITE **M**
 - YELLOW **N**
- Edge only:**
- PLATINUM **P**
 - CHAMPAGNE **O**