

uxl adjustable chair

model #: XL031_P_, XL035_P_

OVERVIEW:

The UXL Adjustable Chair can be used to complete a teacher's suite or complement other furnishings in the UXL line. Customizing the chair height allows the user to adapt to the furniture around them, and the optional casters allow for easy mobility. It's a very comfortable chair. It's a great option use in computer labs, art rooms and offices.

MATERIALS:

The **BACKREST AND SEAT** are made from 100% virgin polypropylene material with high impact strength. The backrest is supported with a metal bar insert that provides very strong support. *Optional **FABRIC SEAT** available,

The **CHAIR FRAME** is 0.59" x 1.18" x 0.078" thick oval shaped steel tube and 3mm thick steel plate x 2mm thick rounds teal tube fully welded with a powdercoat paint finish. The seat is made of 100% virgin polypropylene material with high impact strength. The backrest is supported with a metal bar insert that provides very strong support. The swivel/vertical pneumatic height adjustment mechanism allows the seat to be raised and spin, but no tilting action. The casters a durable nylon 50mm diameter. Glides available. The 5-star base is 25" in diameter.

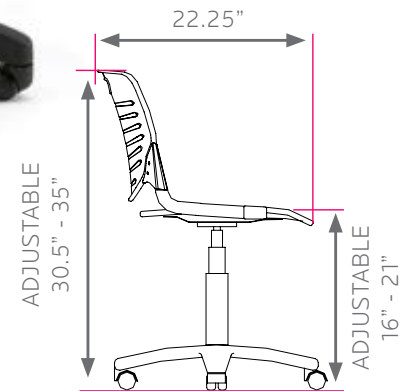
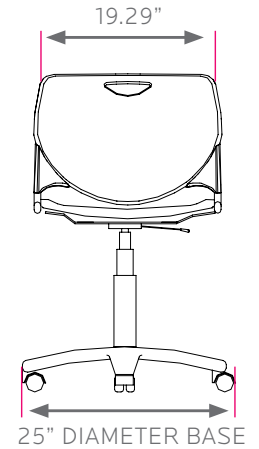
OPTIONS & ACCESSORIES:

Add a **LEFT & RIGHT ARMS** to UXL Adjustable Chairs for a pair of platinum padded arm rests to maximize comfort on your UXL Chair.

Left & Right Arms, add 'LR' to end.
XL035P_P_LR

Add a **FABRIC SEAT** to UXL Adjustable Chairs for a comfortable cushioned seat, with a soft feel.

Fabric Seat, replace 1st P with F.
XL031F_P_



DIMENSIONS + FREIGHT:

* product is UPSable.

MODEL #	SHELL	D"	W"	H"	F.C.	CUBE	WEIGHT
XL031P_P_	glides	25	25	16 - 21	85	2.1	25 lbs.
XL035P_P_	casters	25	25	16 - 21	85	2.1	22 lbs.
XL031P_P_LR	glides/arms	25	25	16 - 21	85	2.1	31 lbs.
XL035P_P_LR	casters/arms	25	25	16 - 21	85	2.1	29 lbs.
FOOTPRINT DIMENSIONS		32.62	19.29	30.5 - 35			

UXL SEAT & BACK COLOR CHOICE

5-STAR BASE

- Apple **A**
- Burgundy **D**
- Chocolate **Q**
- Fuchsia **G**
- Navy **I**
- Red **L**
- Black **B**
- Cerulean **S**
- Clementine **E**
- Mint **H**
- Persian Blue **J**
- White* **M**
- Blueberry **C**
- Charcoal* **R**
- Forest Green **F**
- Mocha **T**
- Purple **K**
- Yellow **N**
- Black

* White and Charcoal available in poly only. Charcoal in 18" only.