

uxl adjustable stool

model #: XL041__P_, XL045__P_



OVERVIEW:

The UXL Adjustable Stool can be used to complete a teacher's suite or complement other furnishings in the UXL line. Customizing the chair height allows the user to adapt to the furniture around them, and the optional casters allow for easy mobility. It's a great option for use in computer labs, art rooms and offices.

MATERIALS:

The **BACKREST AND SEAT** are made from 100% virgin polypropylene material with high impact strength. The backrest is supported with a metal bar insert that provides very strong support.
*Optional **FABRIC SEAT** available,

The **CHAIR FRAME** is 0.59" x 1.18" x 0.078" thick oval shaped steel tube and 3mm thick steel plate x 2mm thick rounds teal tube fully welded with a powdercoat paint finish. The seat is made of 100% virgin polypropylene material with high impact strength. The backrest is supported with a metal bar insert that provides very strong support. The swivel/vertical pneumatic height adjustment from mechanism allows the seat to be raised and spin, but no tilting action. The casters a durable nylon 50mm diameter. Glides available. The 5-star base is 28" in diameter.

OPTIONS & ACCESSORIES:

Add a **LEFT & RIGHT ARMS** to UXL Adjustable Chairs for a pair of platinum padded arm rests to maximize comfort on your UXL Chair.

Left & Right Arms, add 'LR' to end.
XL045P_P_LR

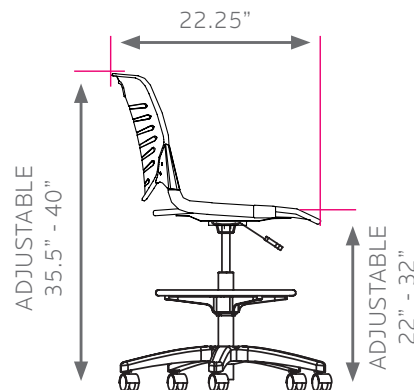
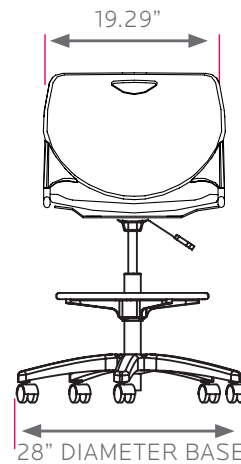
Add a **FABRIC SEAT** to UXL Adjustable Chairs for a comfortable cushioned seat, with a soft feel.

Fabric Seat, replace 1st P with F.
XL041F_P_

DIMENSIONS + FREIGHT:

* product is UPSable.

MODEL #	SHELL	D"	W"	H"	F.C.	CUBE	WEIGHT
XL041P_P_	glides	28	28	22 - 32	85	2.1	29 lbs.
XL045P_P_	casters	28	28	22 - 32	85	2.1	26 lbs.
XL041P_P_LR	glides/arms	28	28	22 - 32	85	2.1	32 lbs.
XL045P_P_LR	casters/arms	28	28	22 - 32	85	2.1	29 lbs.
FOOTPRINT DIMENSIONS		32.62	19.29	35.5 - 40			



5 Star Adjustable Stool Base



BLACK
BLA

UXL Adjustable Stool: Shell + Fabric Color Options



APPLE A



BLACK B



BLUEBERRY C



BURGUNDY D



CERULEAN S



* CHARCOAL R



CHOCOLATE Q



CLEMENTINE E



FOREST GREEN F



FUCHSIA G



MINT H



MOCHA T



NAVY I



PERSIAN BLUE J



PURPLE K



RED L



YELLOW N



* WHITE M

* CHARCOAL + WHITE
AVAILABLE IN POLY
- NO FABRIC