

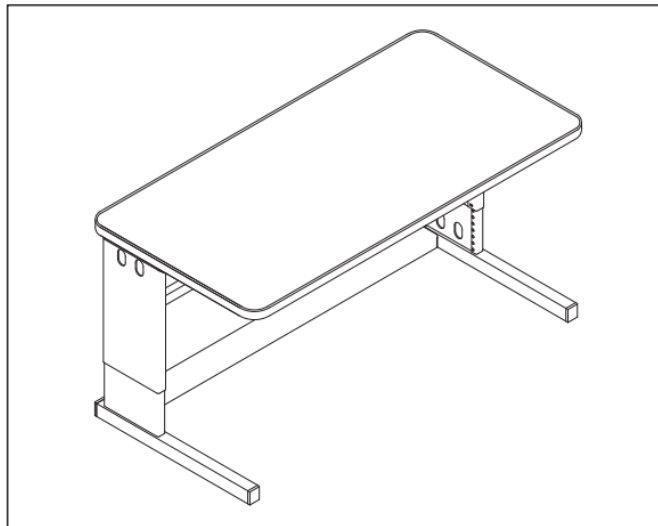


SMITH SYSTEM

Furniture for inspired learning.

Acrobat Desk™

Assembly Instructions
for the following workstations:



Bullet
Rectangle
Peninsula
Contour



SMITH SYSTEM



For Assistance in assembling product, missing or damaged parts,
or to place an order, please contact customer service at 800-328-1061

You may also place your order online at

www.smithsystem.com



SMITH SYSTEM

Furniture for inspired learning.

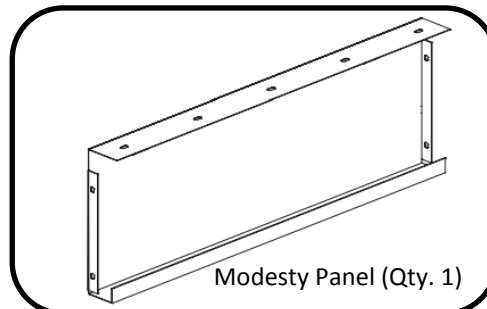
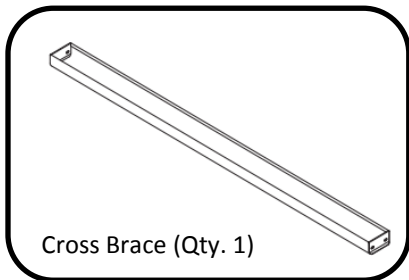
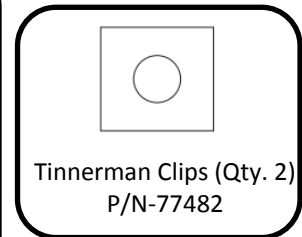
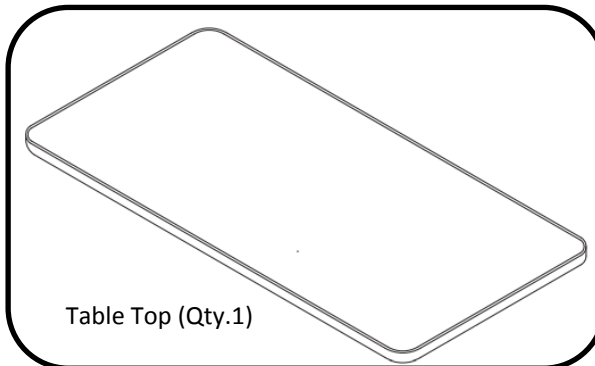
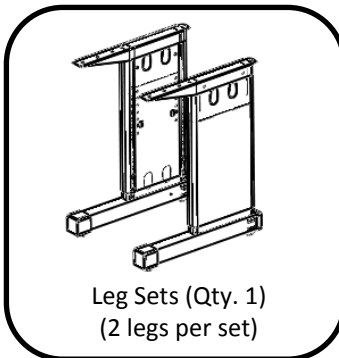
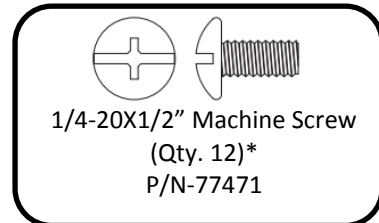
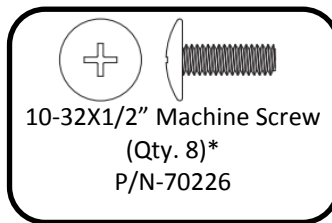
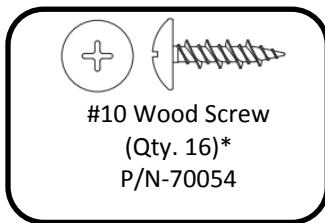
Special Notes:

1. Check that all components are accounted for and undamaged before assembling.
2. Please assemble product in a clean and dry area.
3. For larger units, you may need another person to help assemble the product.
4. Clean the product with a mild cleaner and a damp cloth.

Tools

You will need a Phillips Head Screwdriver.

Hardware and Components



*Our Acrobat Workstations come in different lengths and shapes, so hardware and screw hole placement will vary. If you feel you have not received all of the necessary hardware, please call us at 800-328-1061.

For Assistance in assembling product, missing or damaged parts,
or to place an order, please contact customer service at 800-328-1061

You may also place your order online at

www.smithsystem.com



SMITH SYSTEM

Furniture for inspired learning.

Replacement pack 69755 includes:

77471 (Qty. 16) 1/4-20X1/2" Combo Drive Machine Screw

70226 (Qty. 8) 10-32X1/2" Machine Screw

77482 (Qty. 2) Tinnerman Clip

70054 (Qty. 16) SM Screw #10X3/4 HI/LO PTH

Shapes and Sizes



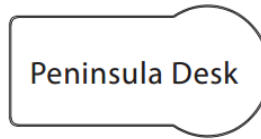
Bullet Desk

Left or Right Handed
24"d or 30"d
45"w, 60", or 72"w



Rectangle Desk

24"d or 30"d
30"w, 36"w, 48"w, 60"w, or 72"w



Peninsula Desk

Left or Right Handed
36"d x 72"w



Contour Desk

36"d x 72"w

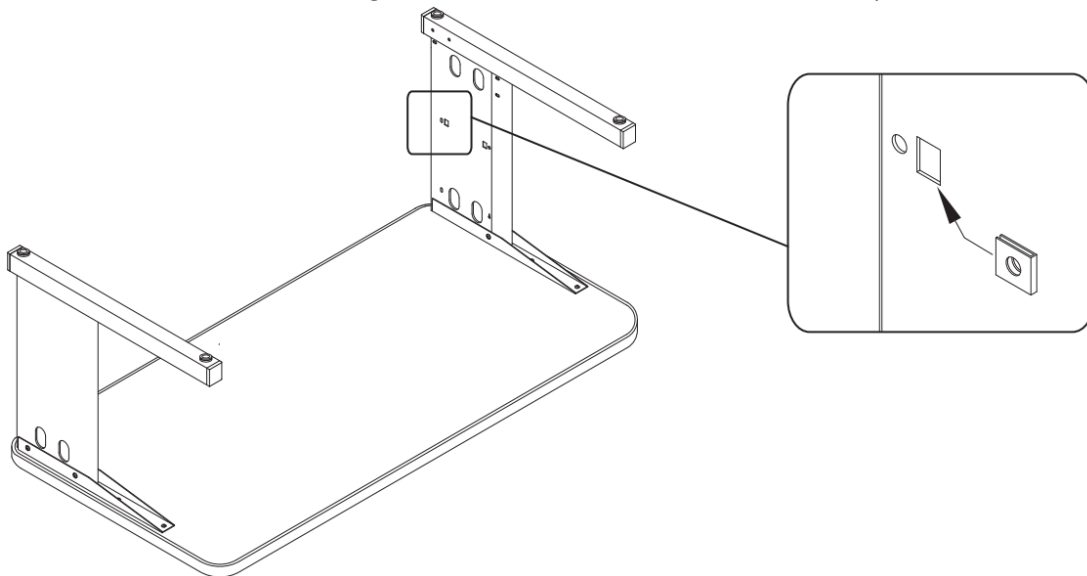
Assembly Instructions

Step 1: Flip the top upside down on a clean dry surface. Align the leg sets with the predrilled holes on the top.

Step 2: Adjust the legs to the desired height by taking out the (4) 1/4-20X1/2" Machine screws per leg and reinserting them at the desired height.

Install (1) Tinnerman Clip per leg in the square hole located inside of the leg.

*NOTE: The Tinnerman Clip is only used if the desk is raised to a high range, when set to a low range, threaded holes in the lower leg will be used instead of the Tinnerman Clip.



For Assistance in assembling product, missing or damaged parts,
or to place an order, please contact customer service at 800-328-1061

You may also place your order online at

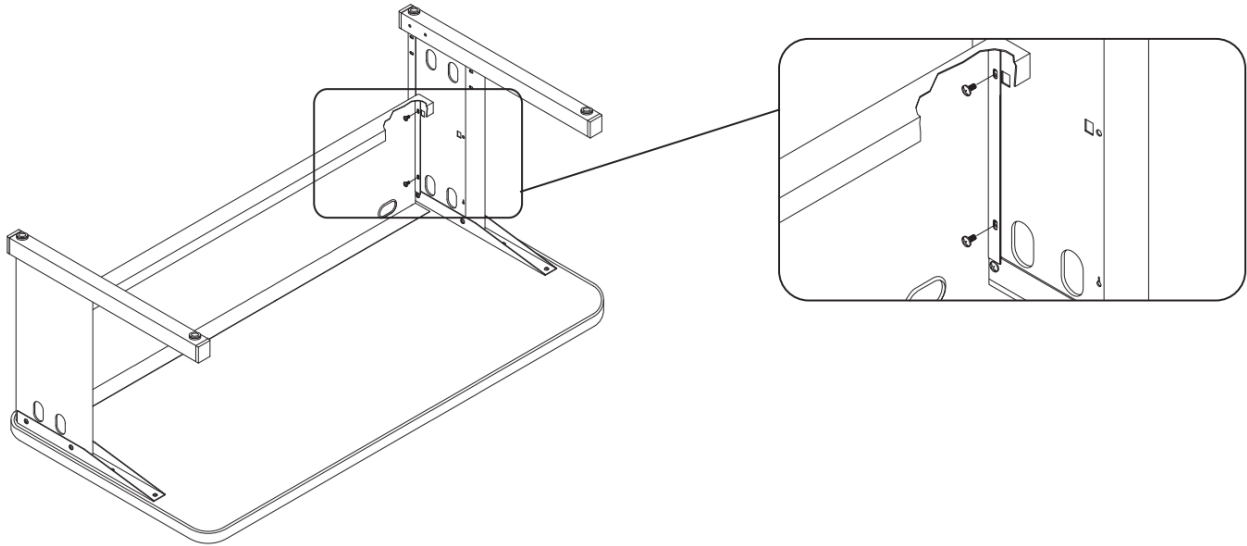
www.smithsystem.com



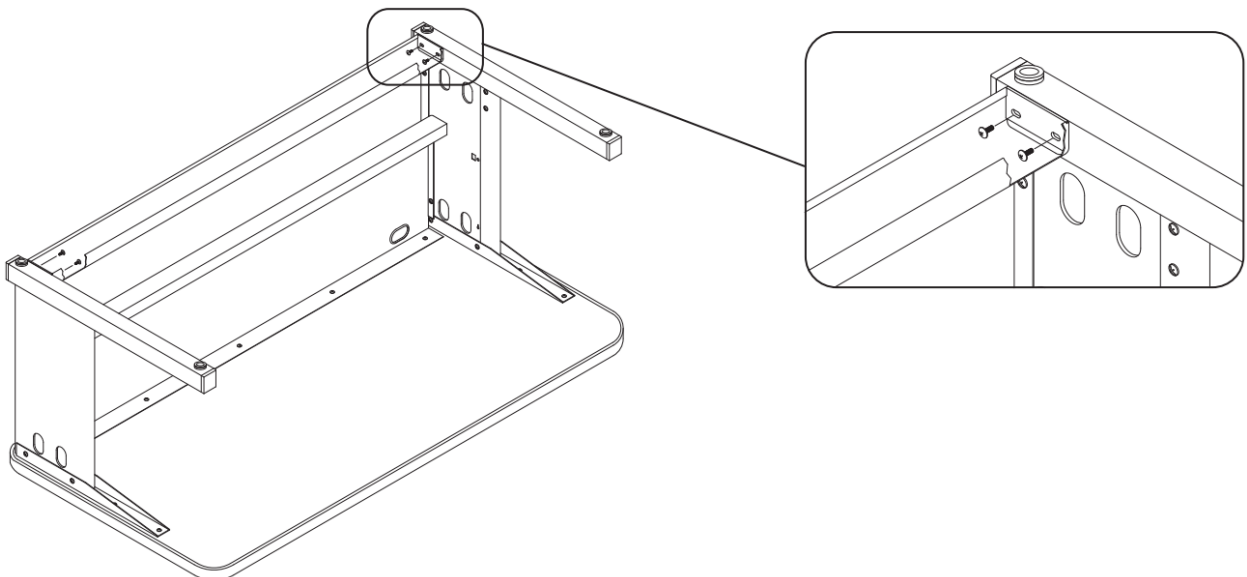
SMITH SYSTEM

Furniture for inspired learning.

Step 3: Attach the Modesty Panel to the legs using (4) ¼-20X1/2" Machine Screws. The ¼-20 screws for the height of the leg set may need to be loosened to realign holes to attach the modesty panel.



Step 4: Attach the Cross Brace to the foot using (4) 10-32X1/2" Machine Screws.



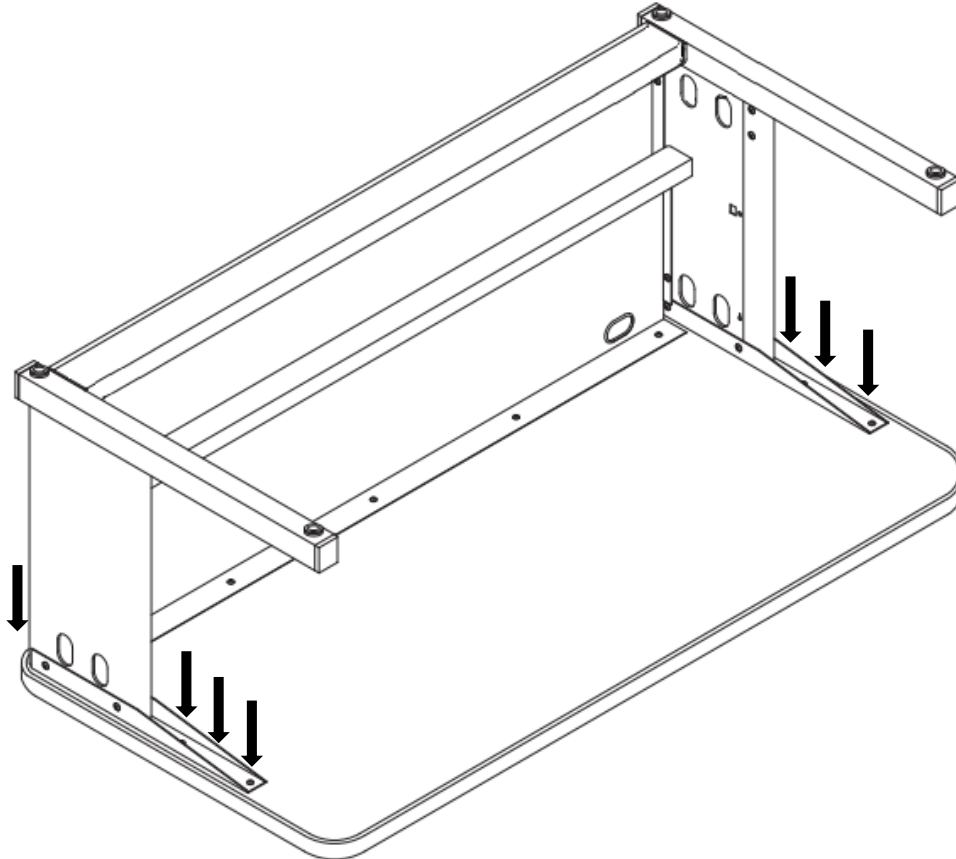
For Assistance in assembling product, missing or damaged parts,
or to place an order, please contact customer service at 800-328-1061
You may also place your order online at
www.smithsystem.com



SMITH SYSTEM

Furniture for inspired learning.

Step 5: Attach the brackets to the top using (8) #10 wood screws, by first aligning the brackets with the predrilled holes.



Step 6: With help, flip the desk back into its upright position. Your desk is now ready for use. Enjoy!

For Assistance in assembling product, missing or damaged parts,
or to place an order, please contact customer service at 800-328-1061

You may also place your order online at

www.smithsystem.com