

I-O POST END CAP TABLE

Model# XL48EC

The I-O Post End Cap table frames a Smith System I-O Post #17090 perfectly within its border. Arrange 2 I-O Post End Cap tables around a single I-O Post to create an I-O Post circle work station!

Material

The 3/4" thick *work surface* consists of a 45 lb. density particleboard core with a .030 high-pressure laminated surface and a .020" melamine backer sheet. The edge of the work surface features 3/4" bumper edge molding that is mechanically fastened every 6 to 8 inches to assure a long lasting fit. The *frame* is attached to the pre-drilled holes in the top. The legs then fasten into the frame at each corner.

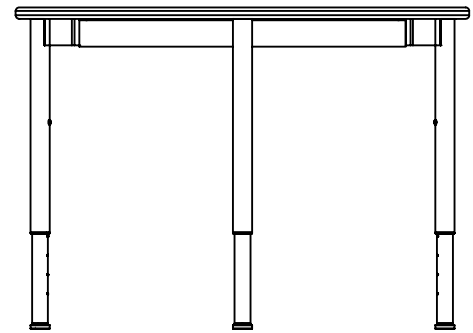
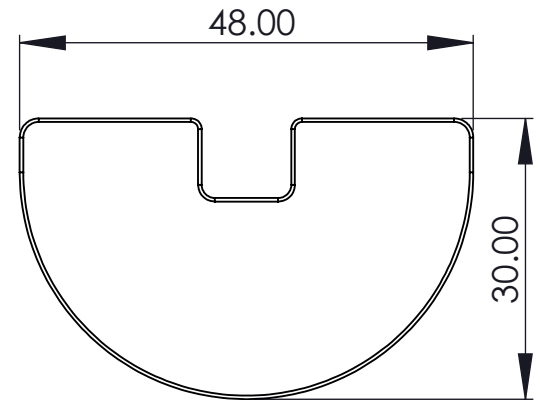
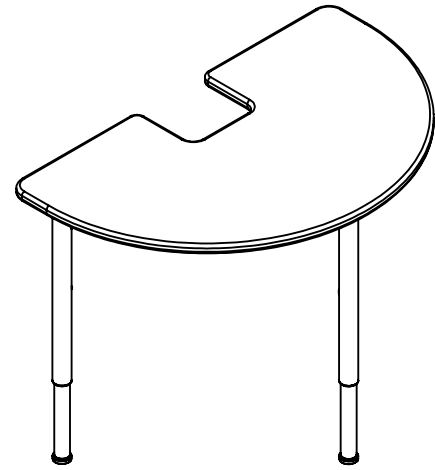
Dimensions

Box: 31" x 62" x 3"

Freight

Weight: 45 lbs.
Freight Class: 70

(FL)	Straight Fixed-height leg	
w/glide	29.5"h	(std, no upcharge)
(FC)	Straight Fixed-height leg	
w/caster	29.5"h	
(AL)	Push-button Adjustable-height leg	
w/glide	27"-33"h	
(AC)	Push-button Adjustable-height leg	
w/caster	27"-33"h	
(SL)	Push-button Adjustable-height leg	
w/glide	24"-29"h	
(SC)	Push-button Adjustable-height leg	
w/caster	24"-29"h	
(TG)	Tapered Fixed-height leg	
w/glide	29.5"h	
(TL)	Tapered Fixed-height leg	
w/caster	29.5"h	



Available Colors

Frame: Platinum & Chocolate

Laminate Colors:

Amber Cherry, Blond Echo, Fusion Maple, Cherry, Golden Oak, Grey Mesh, Grey Nebula, New Age Oak, Pewter Mesh, Tan Echo.

(Smith System is proud to offer any Wilsonart 60 Series laminate at no up charge for orders of 20 or more)

Edge Colors:

Apple, Blueberry, Black, Burgundy, Cerulean, Champagne, Charcoal, Chocolate, Clementine, Forest Green, Fuchsia, Mocha, Mint, Navy, Persian Blue, Platinum, Purple, Red, White, Yellow.

For more information, call 1.800.328.1061
or email furniture@smithsystem.com

