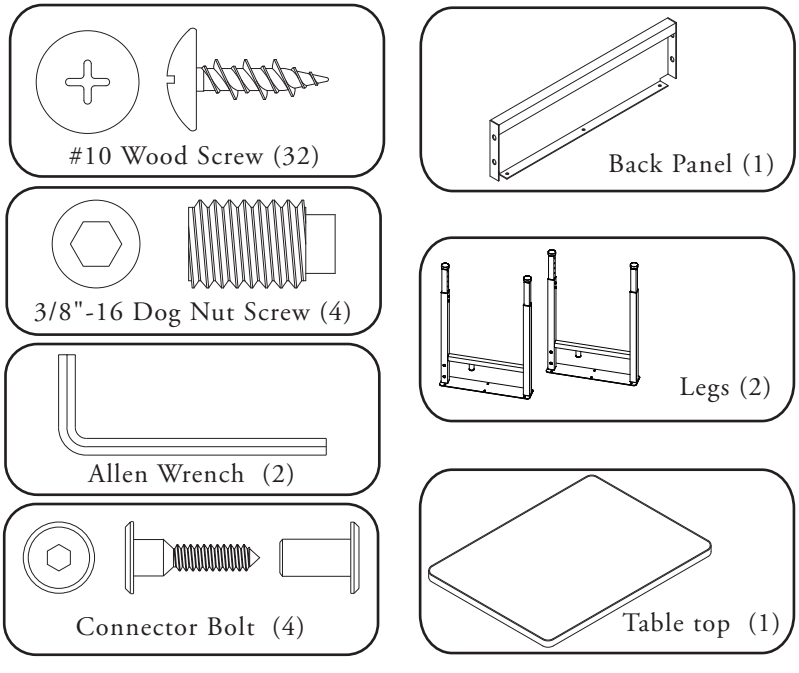


## Planner Student Desk Quick Installation Guide

### Required for Installation



### Instructions

- Step 1 Loosely attach legs and modesty panel with connector bolts. (finger tight)
- Step 2 Flip table over on a smooth, clean surface with the bottom facing up.
- Step 3 Align frame assembly with pilot holes in top and use supplied #10 wood screws to loosely attach frame assembly.
- Step 4 Using supplied Allen Wrench go back and tighten connector bolts.
- Step 5 Tighten #10 wood screws into table. Adjust table to desired height using supplied Allen Wrench. Carefully flip the desk over, desk is now ready to be used.

### MODELS

01270 01280  
 01272 01284  
 01273 01285  
 01274 01286  
 01275 01287  
 01276 01288  
 01278 01289  
 01280 01290

