

# acrobat student desk

model #: 26282

20" x 48" acrobat single-student desk

**DIMENSIONS + FREIGHT:**

| MODEL # | D"     | W"    | H"        | F.C. | CUBE | WEIGHT  |
|---------|--------|-------|-----------|------|------|---------|
| 26282   | 20"    | 48"   | 24" - 36" | 70   | 4.1  | 95 lbs. |
| carton  | 25.13" | 51.3" | 3"        |      |      |         |

**OVERVIEW:**

The strong, stable Acrobat Student Desks can be used separately or in multiple combinations. It features a built-in wire raceway in the modesty panel for cable management.

The 1 1/4" thick **WORK SURFACE** consists of a 45 lb. density particle board core with a .030" high-pressure laminated surface and a .020" melamine backer sheet. The edge of the work surface features 3/8" bumper edge molding that is mechanically fastened every 6 to 8 inches to assure a long lasting fit. The top is pre-drilled for ease of installation.

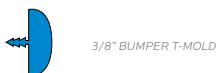
The **LEGS** are telescoping which allows height adjustment from 24" to 36" high. The legs are 1 5/8"W x 10"D double wall panel constructed of 12, 14 and 18-gauge steel with rounded edges. Cable ports in the upper leg create networking options from station to station and in the lower leg cable ports provide routing to the floor. The **BASE** is 16-gauge steel tube 1 3/4" x 2" nylon caps protect the feet. The legs also have 1" adjusting leveling glides.

The **MODESTY PANEL** is made from 18-gauge steel and features a built in raceway and cable ports in the upper corners. The panel connects to the worksurface and legs. Acrobat workstations can go mobile with optional dual-wheel casters:

- Model #17576 = 3" diameter
- Model #17554 = 4" diameter

**ACROBAT TOP & EDGE PROFILE**

1 1/4" TOP



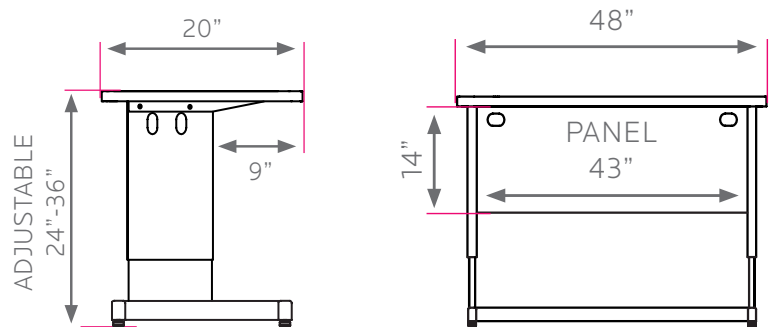
**ADD POWER**



| MODEL      | DESCRIPTION |
|------------|-------------|
| 017091 SLV | 2 power     |



Model 26280. Shown in New Age Oak with White edge and Platinum frame. Shown with optional Intuit Stack Chair in White, Model 00560.



**FRAME**

- BLACK
- PLATINUM

**make it mobile with casters** 3" or 4" dual-wheel

**EDGE CHOICES**

- APPLE
- BLACK
- BLUEBERRY
- BURGUNDY
- CERULEAN
- ORANGE
- CHAMPAGNE
- CHARCOAL
- CHOCOLATE
- CLEMENTINE
- FOREST GREEN
- FUCHSIA
- MINT
- MOCHA
- NAVY
- PERSIAN BLUE
- PURPLE
- RED
- WHITE
- YELLOW
- PLATINUM

**LAMINATE CHOICES**

- AMBER CHERRY
- ASIAN NIGHT
- BLOND ECHO
- FUSION MAPLE
- GOLDEN OAK
- GREY MESH
- GREY NEBULA
- NEW AGE OAK
- PEWTER MESH
- TAN ECHO
- WILD CHERRY