

# elemental open front desks

model #: 01475, 01476

## elemental 20" x 27" open front desks

### OVERVIEW:

The Elemental open front desk is the first of its kind; light, adaptable and versatile. The work surface is attached to an integral bookbox, which is also the desks' frame. Leg inserts easily install into the bookbox to create a simple, one-step install.

### MATERIALS:

The Elemental Desk has **three** work surface options.

#### 01475 - RECTANGULAR LAMINATED TOP:

Measuring 20" d x 27" w x 3/4", 11.2 lb. Work surface is a 3/4" particle board core with a 0.030" high pressure laminated surface and a 0.020" melamine backer sheet. The edge of the work surface features bumper edge that is fastened every 6"-8" to ensure a long lasting fit.

#### 01476 - WAVE LAMINATED TOP:

The wave top offers a more ergonomic version of option #1 featuring a curve at the front for a stylish look and easy ingress to the desk.

The **SUPPORT FRAME** with integral bookbox is made of polypropylene, making it very light (4 lb.), with color throughout and a distinct texture. The frame is fastened to the top and completely positions and secures the adjustable legs. The inside of the bookbox is spacious having inside dimensions of 14.5"d, 20"w and 4" high. The pencil trough at the front is a generous width at 1.4".

The **ADJUSTABLE LEGS** are 1 3/16" in diameter made from 18 gauge steel and allows the desk to adjust from 23"-32" in height. Each leg has a 1 inch leveling glide. These legs are installer-friendly, requiring no drill or fasteners to attach them to the frame. The Elemental manages to give you maximum storage space in a very compact footprint. The Elemental rewards you with simplicity, durability and it's aesthetic appeal.

### DIMENSIONS + FREIGHT:

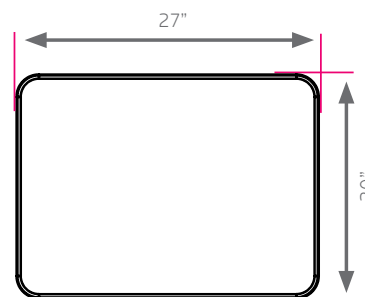
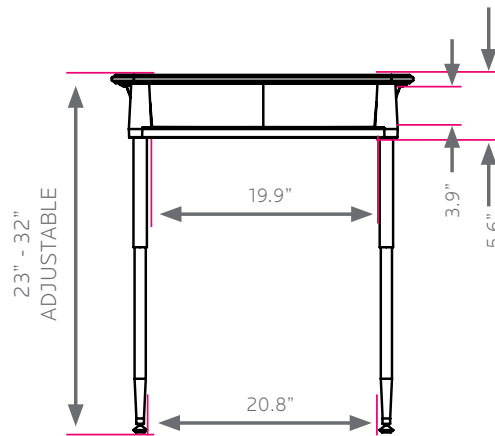
MODEL #	DESCRIPTION	D"	W"	H"	F.C.	CUBE	WEIGHT
01475 rectangle	laminated rectangle	20"	27"	23" - 32"	85	1.3	26 lbs.
01476 wave top	laminated wave top	20"	27"	23" - 32"	85	1.3	26 lbs.



01475



01476



### ELEMENTAL TOP & EDGE PROFILE

1 1/4" TOP

3/4" TOP



## Elemental Bookbox + Leg Set Color Options



BLACK  
BLA



PLATINUM  
PLT

## Standard Laminate Options

Want to specify a different laminate?

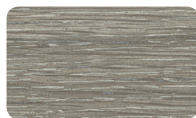
No problem. If you have 20 or more tops of the same color -60 or -38 there is no upcharge. Have 20 or less? We can quote for you with the Wilsonart code and – finish style. We can specify other laminates – call to inquire and get a quote.



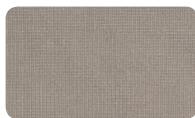
Suggested Standard Laminates:



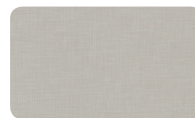
ASIAN NIGHT  
7949-60  
ANG



BOARDWALK OAK  
7983-60  
BWK



PEWTER MESH  
4878-60  
PEW



CLASSIC LINEN  
4943-60  
CLN



HIGH RISE  
4996-60  
HRE



BUKA BARK  
7982-60  
BBK



PALISADES OAK  
7987-60  
PSO



FLAX LINEN  
4990-60  
FLL



MISSION MAPLE  
7990-60  
MIM



NEW AGE OAK  
7938-60  
NEW

Classic Standard Laminates:



WILD CHERRY  
7054-60  
CHE



GREY NEBULA  
4622-60  
GNB



FUSION MAPLE  
7909-60  
MAP

All 13 of the standard laminates are -60 finish, if you need to match a laminate from a previous year, please let us know on your order (example Pewter Mesh 4878-38, our standard is -60).

When the WilsonArt Laminate code includes a "Y", "K", "-12" "-78", "Aeon" etc, these are special laminates with an upcharge, even when it contains -38 or -60.

## Standard Edge Color Options



APPLE A



BLACK B



BLUEBERRY C



BURGUNDY D



CERULEAN S



CHAMPAGNE O



CHARCOAL R



CHOCOLATE Q



CLEMENTINE E



FOREST GREEN F



FUCHSIA G



MINT H



MOCHA T



NAVY I



ORANGE U



PERSIAN BLUE J



PLATINUM P



PURPLE K



RED L



YELLOW N