

cascade mega-tower

model #: R10000120P_ &
L10000120P_

mega-tower teacher wardrobe
+ 12 6" SW totes.

DIMENSIONS + FREIGHT:

MODEL #		D"	W"	H"	F.C.	WEIGHT
R10000120P_	right wardrobe	19"	43"	61.4"	100	170 lbs.
L10000120P_	left wardrobe	19"	43"	61.4"	100	202 lbs.
	carton	22"	45"	64"	100	40 lbs.

OVERVIEW:

The Cascade series provides storage for a wide variety of items. The Mega-Tower is a large width, tall height cabinet in the Cascade grouping, measuring in at 61-3/8" tall, 43" wide and 19" deep.

MATERIALS:

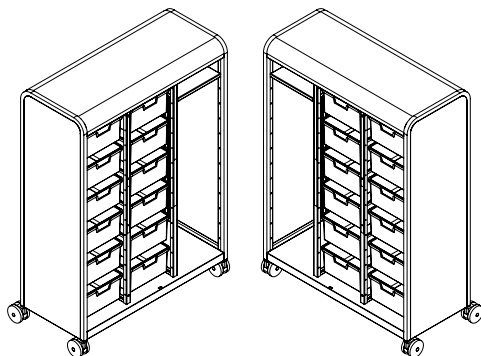
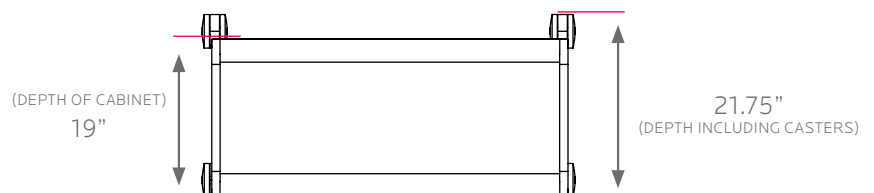
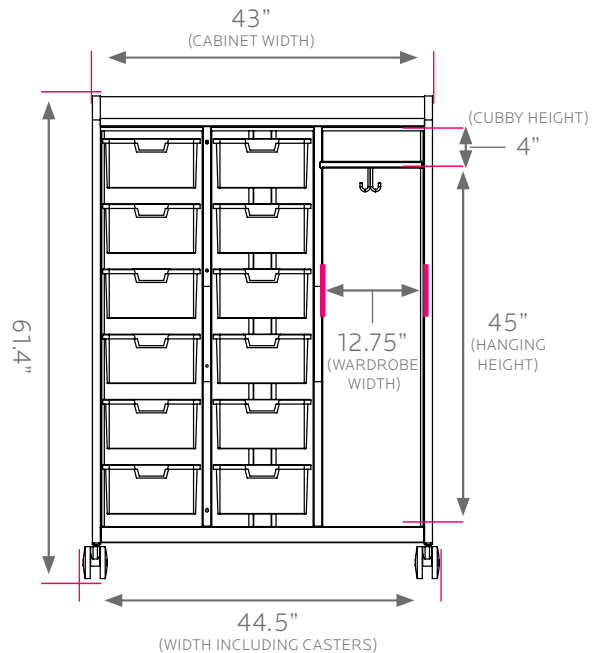
The **END PANELS** are made of 18-gauge 1" square tubing, welded flush to an 18-gauge end panel. The inside of each end panel is reinforced by 22-gauge hat channels. These hat channels are dual purpose: added strength and for tote rail shelf mounting. The dome top is 18-gauge formed and welded construction, bolted to each end panel and rear panel with a total of 10 machine screw fasteners. The base is a durable 18-gauge steel construction formed and welded to support the entire weight of the unit squarely. Underneath is a heavy welded hat channel reinforcement. The base shelf is attached to both end panels using 4 machine screw fasteners. The Rear Panel is 18-gauge steel reinforced with up to three vertical hat channels. Two grommet holes (a lower and upper) are punched for convenient wire management and electronic storage. Casters are 5" in diameter, with 2 locking. Optional glides are 3/8" threaded stem.

Model R10000120P_ / L10000120P_ comes equipped with a quantity of 12 6" (SW) Totes as well as a coat hanger and a 4" tall shelf.

Due to the Cascade Tower's height, **riser shelves are not available on Cascade Mini Tower, Mid Tower or Mega Tower.**



Model R10024000PE shown, (x24 3" SW totes).



Model R10000120P_
(right side wardrobe)

Model L10000120P_
(left side wardrobe)

*see catalog for all optional parts & accessories.

Cascade Frame



PLATINUM

***(Cascade Riser Shelves not available on Cascade 'Towers' due to height).**

Standard Laminate Options *(Cascade Riser Shelves)

Want to specify a different laminate?

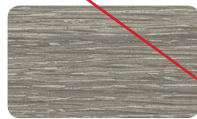
No problem. If you have 20 or more tops of the same color -60 or -38 there is no upcharge. Have 20 or less? We can quote for you with the Wilsonart code and – finish style. We can specify other laminates – call to inquire and get a quote.



Suggested Standard Laminates:



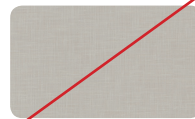
ASIAN NIGHT
7949-60
ANG



BOARDWALK OAK
7983-60
BWK



PEWTER MESH
4878-60
PEW



CLASSIC LINEN
4943-60
CLN



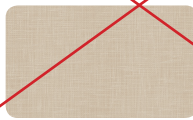
HIGH RISE
4996-60
HRE



BUKA BARK
7982-60
BBK



PALISADES OAK
7987-60
PSO



FLAX LINEN
4990-60
FLL



MISSION MAPLE
7990-60
MIM

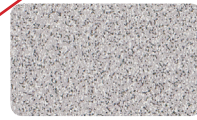


NEW AGE OAK
7938-60
NEW

Classic Standard Laminates:



WILD CHERRY
7054-60
CHE



GREY NEBULA
4622-60
GNB



FUSION MAPLE
7909-60
MAP

All 13 of the standard laminates are -60 finish, if you need to match a laminate from a previous year, please let us know on your order (example Pewter Mesh 4878-38, our standard is -60).

When the WilsonArt Laminate code includes a "Y", "K", "-12", "-78", "Aeon" etc, these are special laminates with an upcharge, even when it contains -38 or -60.

Cascade End Panel Color Options



APPLE **A**



BLACK **B**



BLUEBERRY **C**



BURGUNDY **D**



CERULEAN **S**



CHARCOAL **R**



CHOCOLATE **Q**



CLEMENTINE **E**



FOREST GREEN **F**



FUCHSIA **G**



MINT **H**



MOCHA **T**



NAVY **I**



ORANGE **U**



PERSIAN BLUE **J**



PLATINUM **P**



PURPLE **K**



RED **L**



YELLOW **N**