

# interchange activity tables

model #: 04082-04087

20" deep rectangles

**DIMENSIONS + FREIGHT:**

MODEL #	D"	W"	H"	F.C.	CUBE	WEIGHT
04082	20"	36"	22" - 34"	70	1.5	58 lbs.
04083	20"	48"	22" - 34"	70	2.0	74 lbs.
04084	20"	54"	22" - 34"	70	2.2	79 lbs.
04085	20"	60"	22" - 34"	70	2.5	84 lbs.
04086	20"	72"	22" - 34"	70	3.0	98 lbs.
04087	20"	90"	22" - 34"	70	3.7	114 lbs.

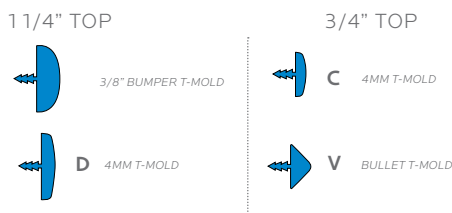
**OVERVIEW:**

The Interchange Activity Tables have a rejuvenated look with our Interchange Ellipse leg sets. The tables offer a stable work surface for the classroom. Interchange Activity tables match the look and style of Interchange student desks for a uniform look in the classroom.

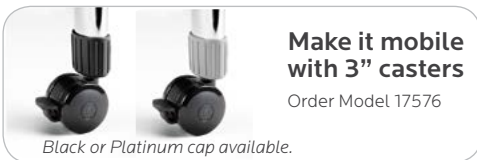
The **LEG SETS** are made in pairs, made of 16 gauge steel elliptical stems and inserts, 14 gauge cross brace and 12 gauge plates. Frame consists of two fully welded segments. Legs have a full, even and long lasting powdercoat finish. Ends are protected with a textured cap and securely captured leveling glide for fine tuning adjustment on uneven floors. Table height adjusts from 22" - 34" in 1" increments. Adjustment for each leg is secured by two 3/8" set screws.

The **WORK SURFACE** is made of 1 1/4" or 3/4" thick, high density particle board core, double sided with a 0.030" high pressure laminate and bumper edge that is mechanically fastened every 6"-8". Tops are pre-drilled for leg set attachment and ease of installation. Tables and legs are supported by one or more 2" x 3" channels with four breakovers for optimum strength.

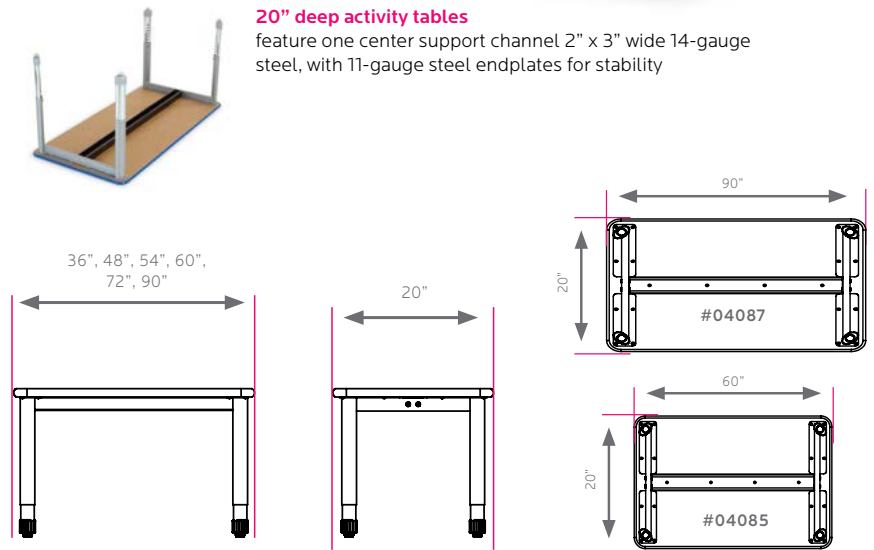
**INTERCHANGE TOP & EDGE PROFILE**



**optional interchange casterpacks:**



**20" deep activity tables** feature one center support channel 2" x 3" wide 14-gauge steel, with 11-gauge steel endplates for stability



**FRAME**

- BLACK
- PLATINUM

**EDGE CHOICES**

- APPLE
- CHAMPAGNE
- FUCHSIA
- PURPLE
- BLACK
- CHARCOAL
- MINT
- RED
- BLUEBERRY
- CHOCOLATE
- MOCHA
- WHITE
- BURGUNDY
- CLEMENTINE
- NAVY
- YELLOW
- CERULEAN
- FOREST GREEN
- PERSIAN BLUE
- PLATINUM
- ORANGE

**LAMINATE CHOICES**

- AMBER CHERRY
- GOLDEN OAK
- PEWTER MESH
- ASIAN NIGHT
- GREY MESH
- TAN ECHO
- BLOND ECHO
- GREY NEBULA
- FUSION MAPLE
- NEW AGE OAK
- WILD CHERRY