

chat scooter

model #: CH31_P_P_00

DIMENSIONS + FREIGHT:

MODEL #	D"	W"	H"	F.C.	CUBE	WEIGHT
CH31_P_P_0 nylon glide	24"	24.5"	18"	125		18 lbs.
CH41_P_P_0 felt glide	24"	24.5"	18"	125		18 lbs.
carton	31.5"	26"	40"			

OVERVIEW:

The Chat Scooter is a spin off of the Chat Chair, that provides a quick moving, reconfigurable relaxed collaborative learning environment. With a front bar handle, student's can lift the front of the scooter, while literally 'scooting' into a new position. The Chat Scooter offers excellent flexibility: integrated casters provide easy mobility. (Chat Scooter's do not gang together like the Chat Chair). Available in 14 colors with nylon or felt glides

The **SEAT** is constructed of polypropylene. The welded frame is formed from 16 gauge steel and is available in a Platinum powdercoat finish. The 2.75" casters have a full bearing center for long lasting strength and ease of movement.

How to read a Chat™ Chair 10-digit Part Number

Here's our simple system for ordering Chat Chairs exactly the way you want them. Just decide what features and options you want, find them in the columns below and write them down in sequence.

1	2	3	4	5	6	7	8	0	0
C	H	3 or 4	1	P or F	Pick Color	P	Pick Color		

1 2
Chair Type
CH = Chair

3
Glide Style
3 = 18" scooter w/ nylon glide
4 = 18" scooter w/ felt glide

4
Frame Color
1 = Platinum

5
Seat Type
P = Poly

6
Seat Color
See Shell Color Chart

Choose 1 Letter

7
Back Type
P = Poly

8
Back Color
See Shell Color Chart

Choose 1 Letter

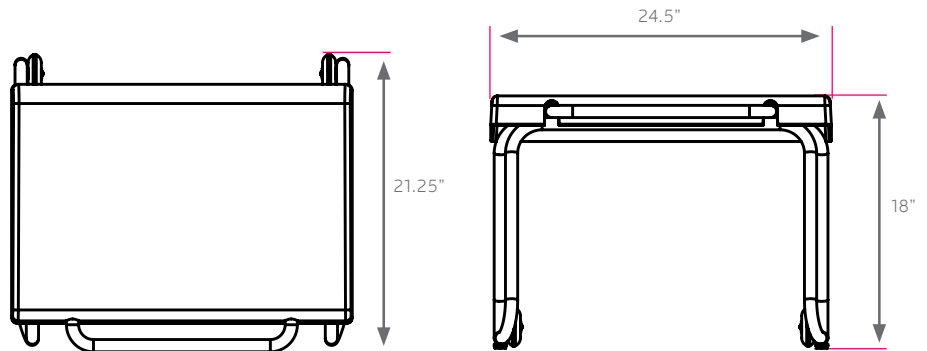
9
Screen
0 = No Screen
1 = Screen

10
Power
0 = No Power



model #: CH31PJPJ00

Chat Scooter, nylon glides, Poly seat in Persian Blue.



Chat Scooter Frame Color Options



PLATINUM
PLT

Chat Scooter Shell Color Options



APPLE A



BLACK B



BLUEBERRY C



BURGUNDY D



CERULEAN S



CHOCOLATE Q



CLEMENTINE E



FOREST GREEN F



MINT H



MOCHA T



NAVY I



PERSIAN BLUE J



PURPLE K



RED L