

solid steel bookbox

model #: 17190



*Silhouette Desk, Model 01650.
Shown with optional Steel Bookbox, Model 17190.*

OVERVIEW:

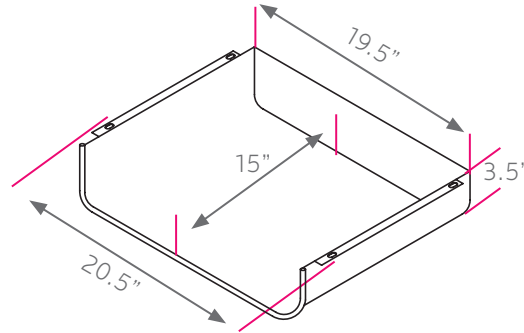
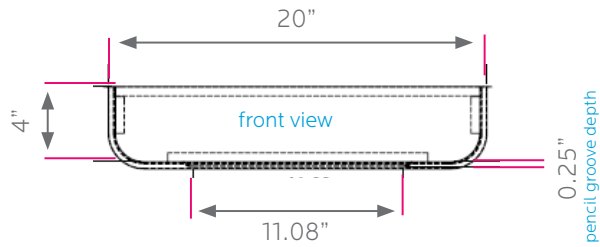
The Smith System solid steel bookbox is an easy way to add storage space for books, supplies, even laptops, to many student desks. The bookbox is available in a durable black or platinum powder coat paint finish.

All welded **20-gauge steel** construction provides sturdy support for books and supplies under the work surface. The solid steel box attaches with 4 screws on the underside of applicable Smith System™ student desks.



DIMENSIONS:

MODEL #	D"	W"	H"	F.C.	CUBE	WEIGHT
17190	15"	20.5"	3.5"	70	3.0	8 lbs.
carton	22"	22"	9"	shipping weight 8 lbs.		



bookbox COMPATABILITY

FLEXLINE™ STUDENT DESKS	* DOES NOT FIT ARC DESKS
PLANNER™ STUDENT DESKS	* DOES NOT FIT HUDDLE DESKS
SILHOUETTE™ STUDENT DESKS	

frame COLORS



platinum



black