

cascade mini-cabinet

model #: 411000000P_

mini-cabinet w/ shelves

DIMENSIONS + FREIGHT:

MODEL #		D"	W"	H"	F.C.	WEIGHT
411000000P_	open w/ shelves	19"	21"	43.3"	100	63 lbs.
421000000P_	door w/ shelves	19"	21"	43.3"	100	74 lbs.
411V00000P_	open w/ shelves + riser	19"	21"	50"	100	80 lbs.
421V00000P_	door w/ shelves + riser	19"	21"	50"	100	90 lbs.
	pallet dimensions	26"	26.5"	43.9"		

OVERVIEW:

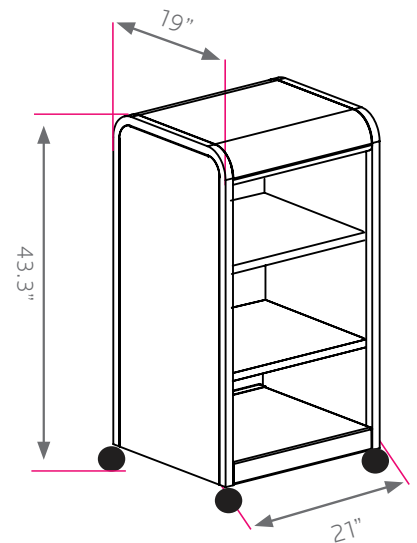
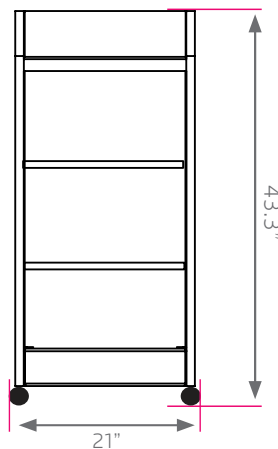
The Cascade series provides storage for a wide variety of items. The Mini-Cabinet is one of the 2nd shortest cabinets in the Cascade grouping, measuring in at 43 5/16" tall, 21" wide and 19" deep.

MATERIALS:

The **END PANELS** are made of 18-gauge 1" square tubing, welded flush to an 18-gauge end panel. The inside of each end panel is reinforced by 22-gauge hat channels. These hat channels are dual purpose: added strength and for tote rail shelf mounting. The dome top is 18-gauge formed and welded construction, bolted to each end panel and rear panel with a total of 10 machine screw fasteners. The base is a durable 18-gauge steel construction formed and welded to support the entire weight of the unit squarely. Underneath is a heavy welded hat channel reinforcement. The base shelf is attached to both end panels using 4 machine screw fasteners. The Rear Panel is 18-gauge steel reinforced with up to three vertical hat channels. Two grommet holes (a lower and upper) are punched for convenient wire management and electronic storage. Casters are 4" in diameter, with 2 locking. Optional glides are 3/8" threaded stem.

RISER SHELVES are sized perfectly for each cabinet size. These riser shelves are made of 3/4" high density particle board with your choice of laminate and bullet T-Mold color. Shelf is suspended 6 inches above the dome top with 4 riser shelf handles, which measure 1 1/2" diameter and come in Platinum powder coat paint finish (0.03" Thickness). These riser shelf handles bolt on from underneath the dome top with a hefty 3" washer.

The **optional DOORS** include a secure and reliable locking mechanism, which engages lock rods into the dome top and the base shelf. Doors also come with urethane ergonomic and modern door handles of your color choice. The fully hinged doors articulate 270 degrees, free of obstruction.



SHELVES & FRAME

- PLATINUM **PLT**

END PANEL & EDGE MOLDING COLORS

- | | | | |
|----------------------|-------------------------|-------------------------|---------------------|
| ● APPLE A | ● CHARCOAL R | ● MINT H | ● RED L |
| ● BLACK B | ● CHOCOLATE Q | ● MOCHA T | ○ WHITE M |
| ● BLUEBERRY C | ● CLEMENTINE E | ● NAVY I | ● YELLOW N |
| ● BURGUNDY D | ● FOREST GREEN F | ● PERSIAN BLUE J | ● PLATINUM P |
| ● CERULEAN S | ● FUCHSIA G | ● PURPLE K | |

LAMINATE CHOICES

- | | | |
|---------------------------|--------------------------|--------------------------|
| ● AMBER CHERRY AME | ● GOLDEN OAK GOK | ● PEWTER MESH PEW |
| ● ASIAN NIGHT ANG | ● GREY MESH GRE | ● TAN ECHO TAC |
| ● BLOND ECHO BEE | ● GREY NEBULA GNB | ● WILD CHERRY CHE |
| ● FUSION MAPLE MAP | ● NEW AGE OAK NEW | |

*see catalog for all optional parts & accessories.