

Assembly Instructions

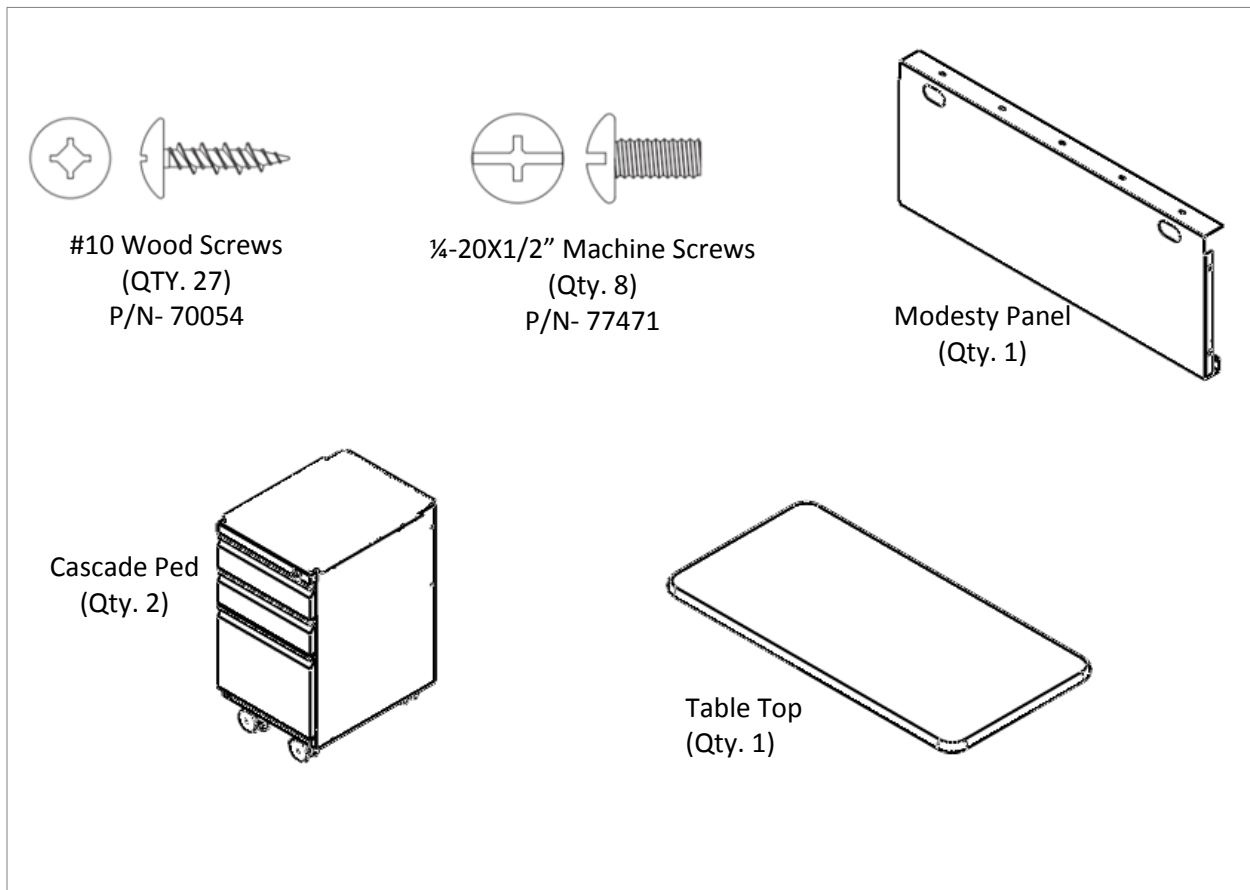
Cascade®

Double Ped Teacher Desk



If you have damaged or missing components,
Please contact customer service at 1-800-328-1061

Hardware and Components



Special Notes:

- Check that all components are accounted for and undamaged before assembling.
- Please assemble the product in a clean and dry area.
- For larger units you may need another person to help assemble the product.
- Clean the product with a mild cleaner and a damp cloth.

*Our Cascade Teacher Desks come in different lengths, so hardware and screw hole placement will vary. If you feel you have not received all the necessary hardware, please call us at 800-328-1061.

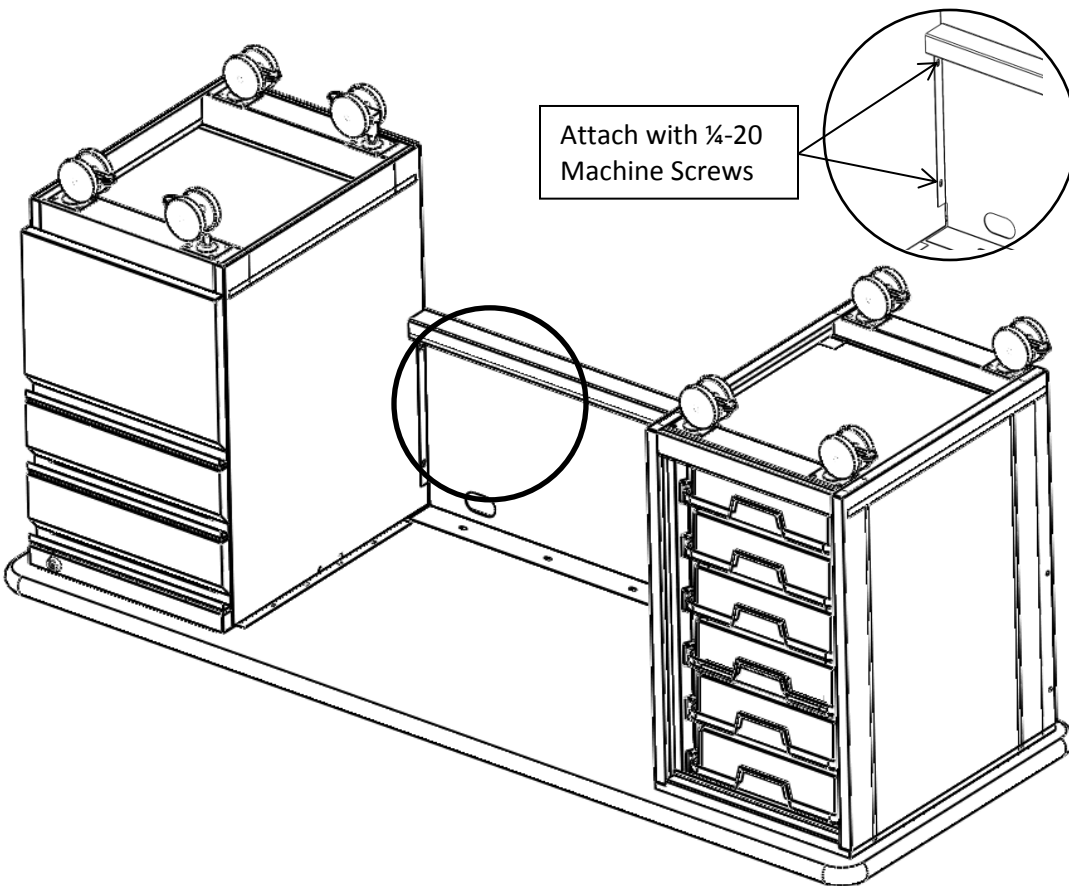
Replacement hardware pack 69756-R includes:

- (4) 77471- 1/4-20X1/2" Combo Drive Machine Screw
- (1) 77482- Tinnerman Clips
- (27) 70054- SM Screw #10X.75 Hi/LO PTH

Assembly Instructions

Step 1: Lay the top upside down, with the cut of the T-mold at the back, make sure the laminate is face down, and the pre-drilled holes are facing upwards.

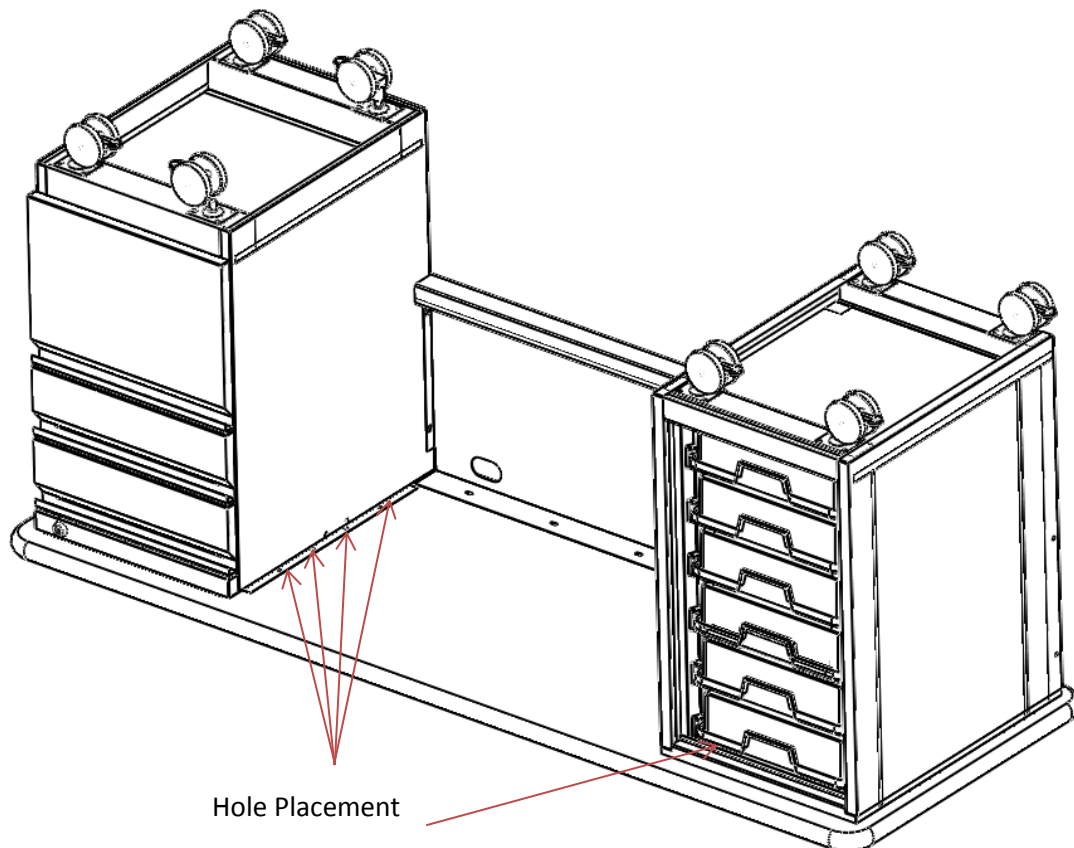
Step 2: Turn the peds upside down so you can align the holes with the predrilled top. Attach the modesty panel to the cabinets loosely, using the supplied ¼-20 machine screws.



Step 3: Align the holes on the peds with the predrilled holes on the work surface and secure using wood screws. Once the peds are attached to the top, fully tighten the machine screws holding the modesty panel.

Hole placement for the Box Box File Ped is on the outside of the top plate of the ped.
Hole placement for the Tote ped is on the inside of the ped on the top plate. To attach the tote ped to the top, you must remove the totes.

On the following page, there is a figure showing hole placement for the peds.



There are 4 more holes on the Box Box File Ped on the outside of the table and 3 on the back.
All holes to attach the ped to the top on the tote ped are on the inside of the ped.

Step 4: Attach the casters to the peds using the supplied screws. Place the unit upright and unit is ready for use.

