

# interchange diamond, open front desk

model #: 04504

single-student diamond, open front desk

**DIMENSIONS + FREIGHT:**

| MODEL # | D"  | W"  | H"            | F.C. | CUBE | WEIGHT  |
|---------|-----|-----|---------------|------|------|---------|
| 04504   | 30" | 34" | 22" - 32"     | 70   | 2.7  | 58 lbs. |
| 04504V  | 30" | 34" | 21.5" - 31.5" | 70   | 2.7  | 58 lbs. |

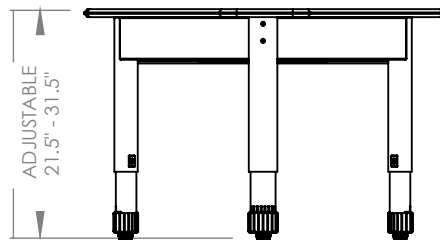
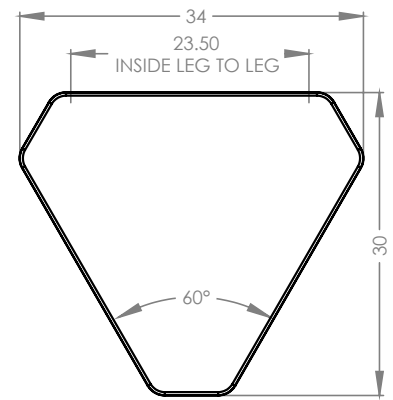
**OVERVIEW:**

The Interchange Open Front Desk combines the spacious flexibility of our Interchange Student Desks with the convenience of built-in bookboxes. The Interchange Open Front Desk is available in both 3/4" and 1 1/4" thick work surface (see top & edge profiles).

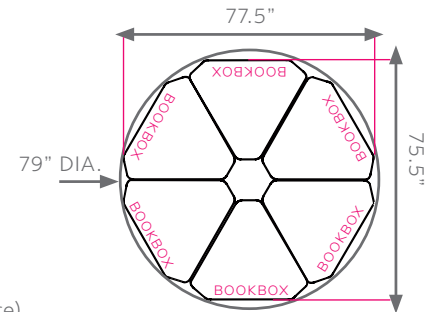
The **WORK SURFACE** consists of a 45 lb density particle board core with a 0.030" high pressure laminated surface and a 0.020" melamine backer sheet. The edge of the work surface features a t-mold edge that is mechanically fastened to the underside of the work surface every 6 to 8 inches to assure a long lasting fit. 1 1/4" or 3/4" thick top.

The **LEGS** have a rugged powdercoat finish that resists wear. The lower leg is constructed of 16-gauge steel and is chrome plated to resist scuffing. The sock style glide caps add protection against scratching floors and provide stability on uneven surfaces with their 1" adjustable leveling glides. Tabletop and legs are supported by one or more 2" x 3" channels with four breakovers for optimum strength.

The **BOOKBOX** is constructed of 18-gauge formed and welded steel. The box features a convenient, integrated pencil retainer. The legs are simply, but securely fastened to the bookbox via 2 bolts per leg.



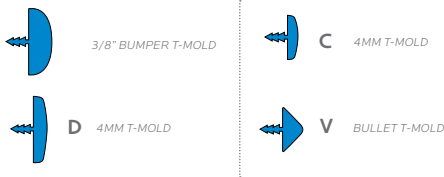
21.5" - 31.5" height (3/4" thick work surface)  
22" - 32" height (1 - 1/4" thick work surface)



**INTERCHANGE TOP & EDGE PROFILE**

1 1/4" TOP

3/4" TOP



optional interchange casterpacks:

**Make it mobile with 3" casters**  
Order Model 17576  
*Black or Platinum cap available.*

**FRAME**

- BLACK
- PLATINUM

**EDGE CHOICES**

- APPLE
- CHAMPAGNE
- FUCHSIA
- PURPLE
- BLACK
- CHARCOAL
- MINT
- RED
- BLUEBERRY
- CHOCOLATE
- MOCHA
- WHITE
- BURGUNDY
- CLEMENTINE
- NAVY
- YELLOW
- CERULEAN
- FOREST GREEN
- PERSIAN BLUE
- PLATINUM
- ORANGE

**LAMINATE CHOICES**

- AMBER CHERRY
- GOLDEN OAK
- PEWTER MESH
- ASIAN NIGHT
- GREY MESH
- TAN ECHO
- BLOND ECHO
- GREY NEBULA
- FUSION MAPLE
- NEW AGE OAK
- WILD CHERRY