

# cascade teacher desk

model #: 26177

rectangle, cabinet w/ door + box-box-file

### DIMENSIONS + FREIGHT:

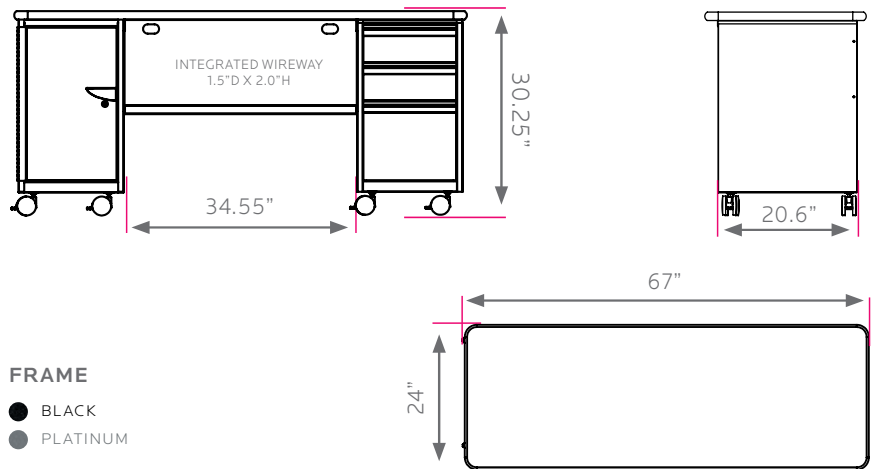
MODEL #	D"	W"	H"	F.C.	CUBE	WEIGHT
26177	24"	67"	30.25"	70		180 lbs.
carton #1	31"	75"	3"	shipping weight 240 lbs.		
carton #2	16.5"	21.5"	27"			
carton #3	26"	21"	32"			

### OVERVIEW:

The Cascade Teacher Desk offers a stable, mobile and versatile workspace with integrated wireway and modesty panel plus the unique capabilities of Cascade storage. It offers a scalable solution for organization, storage and distribution of learning materials.

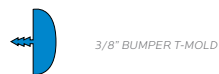
The 1 1/4" thick **WORK SURFACE** consists of a 45 lb. density particle board core with a .030" high-pressure laminated surface and a .020" melamine backer sheet. The edge of the work surface features a bumper edge molding (choices listed below) that is mechanically fastened every 6 to 8 inches to assure a long lasting fit.

The **PEDESTALS** are constructed of fully welded 20 gauge steel components and comes standard with 3" plate casters. Each plate caster takes 4 machine screws to fasten to the ped. The **TOTE PEDESTAL** is configured with (2) 3" translucent totes and (1) 12" tote, as well as a locking door for security. The **BOX-BOX-FILE** has drawers on ball bearing slides and also has a lock for security. The modesty panel is mechanically fastened to the pedestals and to the laminated top.

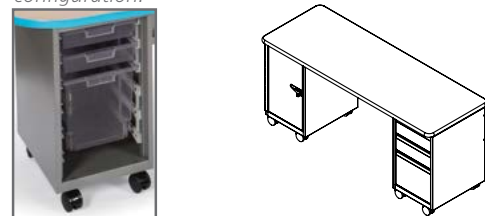


### CASCADE TEACHER TOP & EDGE PROFILE

1 1/4" TOP



tote tray configuration:



### FRAME

- BLACK
- PLATINUM

### EDGE CHOICES

- |             |                |                |            |
|-------------|----------------|----------------|------------|
| ● APPLE     | ● CHAMPAGNE    | ● FUCHSIA      | ● PURPLE   |
| ● BLACK     | ● CHARCOAL     | ● MINT         | ● RED      |
| ● BLUEBERRY | ● CHOCOLATE    | ● MOCHA        | ● WHITE    |
| ● BURGUNDY  | ● CLEMENTINE   | ● NAVY         | ● YELLOW   |
| ● CERULEAN  | ● FOREST GREEN | ● PERSIAN BLUE | ● PLATINUM |
| ● ORANGE    |                |                |            |

### LAMINATE CHOICES

- |                |               |               |
|----------------|---------------|---------------|
| ● AMBER CHERRY | ● GOLDEN OAK  | ● PEWTER MESH |
| ● ASIAN NIGHT  | ● GREY MESH   | ● TAN ECHO    |
| ● BLOND ECHO   | ● GREY NEBULA | ● WILD CHERRY |
| ● FUSION MAPLE | ● NEW AGE OAK |               |

\*see catalog for all optional parts & accessories.