

cascade mega-cabinet cubby

model #: E11000000P_

mega-cabinet cubby

DIMENSIONS + FREIGHT:

MODEL #		D"	W"	H"	F.C.	WEIGHT
E11000000P_	open, 9 cubby	19"	43"	43.4"	100	128 lbs.
E21000000P_	doors, 9 cubby	19"	43"	43.4"	100	147 lbs.

OVERVIEW:

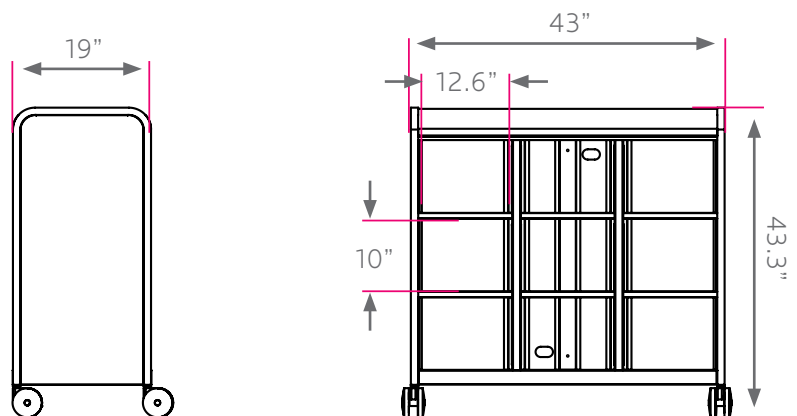
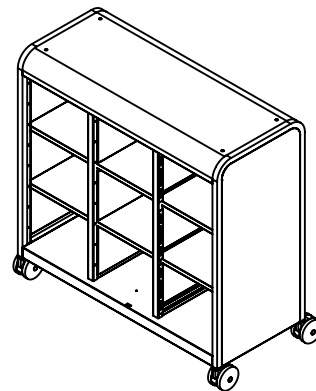
Featuring nine compartments and a selection of twenty beautiful finish colors, the Cascade Cubby offers an open-shelf layout with easy access for maximizing storage in any classroom setting. The powder coated all steel construction maximizes durability guarantying many years of service.

MATERIALS:

The **END PANELS** are made of 18-gauge 1" square tubing, welding flush to an 18-gauge end panel. The inside of each end panel is reinforced by 22-gauge hat channels. These hat channels are dual-purpose: added strength and for tote rail shelf mounting. The dome top is 18-gauge formed and welded construction, bolted to each end panel and rear panel with a total of ten machine screw fasteners. The base is a durable 18-gauge steel construction formed and welded to support the entire weight of the unit squarely. Underneath is a heavy welded hat channel for reinforcement. The base shelf is attached to both end panels using four machine screw fasteners. The rear panel is 18-gauge steel reinforced with up to three vertical hat channels. Two grommet holes (a lower and an upper) are punched for convenient wire management and electronic storage. The 18-gauge cubby dividers bolt to the 16-gauge center supports that are bolted to the dome supports and hat channels. Casters are 5" in diameter, with two locking. Optional glides are 3/8" threaded stem.

RISER SHELVES are sized perfectly for each cabinet size. These riser shelves are made of 3/4" high-density particle board with your choice of laminate and bullet t-mold color. The shelf is suspended six inches above the dome top with four riser shelf handles, which measure 1-1/2": diameter and come in platinum powder coat finish (0.03" thickness). These riser shelf handles bolt on from underneath the dome top with four 3" washers.

The **OPTIONAL DOORS** include a secure and reliable locking mechanism, which engages lock rods into the dome top and the base shelf. Doors also come with urethane ergonomic and modern door handles of your color choice. The fully hinged doors articulate 270°, free of obstruction.



*see catalog for all optional parts & accessories.

Cascade Frame



PLATINUM

Standard Laminate Options *(Casade Riser Shelves)

Want to specify a different laminate?

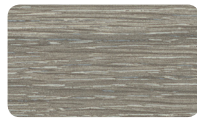
No problem. If you have 20 or more tops of the same color -60 or -38 there is no upcharge. Have 20 or less? We can quote for you with the Wilsonart code and – finish style. We can specify other laminates – call to inquire and get a quote.



Suggested Standard Laminates:



ASIAN NIGHT
7949-60
ANG



BOARDWALK OAK
7983-60
BWK



PEWTER MESH
4878-60
PEW



CLASSIC LINEN
4943-60
CLN



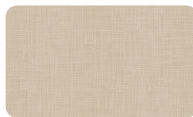
HIGH RISE
4996-60
HRE



BUKA BARK
7982-60
BBK



PALISADES OAK
7987-60
PSO



FLAX LINEN
4990-60
FLL



MISSION MAPLE
7990-60
MIM

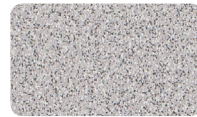


NEW AGE OAK
7938-60
NEW

Classic Standard Laminates:



WILD CHERRY
7054-60
CHE



GREY NEBULA
4622-60
GNB



FUSION MAPLE
7909-60
MAP

All 13 of the standard laminates are -60 finish, if you need to match a laminate from a previous year, please let us know on your order (example Pewter Mesh 4878-38, our standard is -60).

When the WilsonArt Laminate code includes a "Y", "K", "-12" "-78", "Aeon" etc, these are special laminates with an upcharge, even when it contains -38 or -60.

Cascade End Panel and Edge Color Options



APPLE **A**



BLACK **B**



BLUEBERRY **C**



BURGUNDY **D**



CERULEAN **S**



CHARCOAL **R**



CHOCOLATE **Q**



CLEMENTINE **E**



FOREST GREEN **F**



FUCHSIA **G**



MINT **H**



MOCHA **T**



NAVY **I**



ORANGE **U**



PERSIAN BLUE **J**



PLATINUM **P**



PURPLE **K**



RED **L**



YELLOW **N**