

# cascade mega-tower

model #: 911000000P\_

## mega-tower w/ shelves

### DIMENSIONS + FREIGHT:

MODEL #		D"	W"	H"	F.C.	WEIGHT
911000000P_	open w/ shelves	19"	43"	61.4"	100	170 lbs.
921000000P_	door w/ shelves	19"	43"	61.4"	100	202 lbs.
	carton	22"	45"	64"	100	40 lbs.

### OVERVIEW:

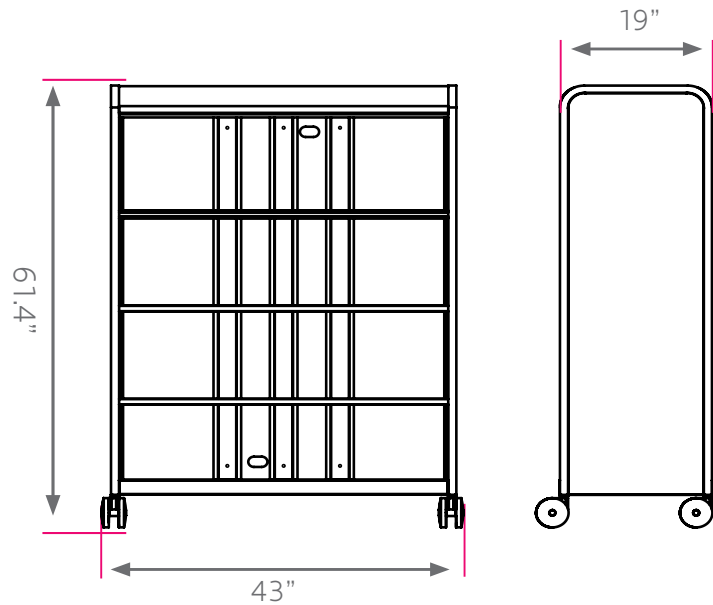
The Cascade series provides storage for a wide variety of items. The Mega-Tower is a large width, tall height cabinet in the Cascade grouping, measuring in at 61-3/8" tall, 43" wide and 19" deep.

### MATERIALS:

The **END PANELS** are made of 18-gauge 1" square tubing, welded flush to an 18-gauge end panel. The inside of each end panel is reinforced by 22-gauge hat channels. These hat channels are dual purpose: added strength and for tote rail shelf mounting. The dome top is 18-gauge formed and welded construction, bolted to each end panel and rear panel with a total of 10 machine screw fasteners. The base is a durable 18-gauge steel construction formed and welded to support the entire weight of the unit squarely. Underneath is a heavy welded hat channel reinforcement. The base shelf is attached to both end panels using 4 machine screw fasteners. The Rear Panel is 18-gauge steel reinforced with up to three vertical hat channels. Two grommet holes (a lower and upper) are punched for convenient wire management and electronic storage. Casters are 5" in diameter, with 2 locking. Optional glides are 3/8" threaded stem.

The **optional DOORS** include a secure and reliable locking mechanism, which engages lock rods into the dome top and the base shelf. Doors also come with urethane ergonomic and modern door handles of your color choice. The fully hinged doors articulate 270 degrees, free of obstruction.

Due to the Cascade Tower's height, **riser shelves are not available on Cascade Mini Tower, Mid Tower or Mega Tower.**



## mega-tower w/ totes

MODEL	DESCRIPTION	D"	W"	H"	F.C.	WT.
<b>Shelves</b>						
911000000P_	Open w/shelves	19	43	61.4	100	134
921000000P_	Doors w/shelves	19	43	61.4	100	167
911W00000P_	Open w/shelves and whiteboard back	19	43	61.4	100	134
921W00000P_	Doors w/shelves and whiteboard back	19	43	61.4	100	167
	pallet dimensions	22	45	64		

\*see catalog for all optional parts & accessories.

\*see catalog for all optional parts & accessories.

# cascade mega-tower

model #: 910036000P\_

## mega-tower w/ shelves

### DIMENSIONS + FREIGHT:

MODEL #		D"	W"	H"	F.C.	WEIGHT
911000000P_	open w/ shelves	19"	43"	61.4"	100	170 lbs.
921000000P_	door w/ shelves	19"	43"	61.4"	100	202 lbs.
	carton	22"	45"	64"	100	40 lbs.

### OVERVIEW:

The Cascade series provides storage for a wide variety of items. The Mega-Tower is a large width, tall height cabinet in the Cascade grouping, measuring in at 61-3/8" tall, 43" wide and 19" deep.

### MATERIALS:

The **END PANELS** are made of 18-gauge 1" square tubing, welded flush to an 18-gauge end panel. The inside of each end panel is reinforced by 22-gauge hat channels. These hat channels are dual purpose: added strength and for tote rail shelf mounting. The dome top is 18-gauge formed and welded construction, bolted to each end panel and rear panel with a total of 10 machine screw fasteners. The base is a durable 18-gauge steel construction formed and welded to support the entire weight of the unit squarely. Underneath is a heavy welded hat channel reinforcement. The base shelf is attached to both end panels using 4 machine screw fasteners. The Rear Panel is 18-gauge steel reinforced with up to three vertical hat channels. Two grommet holes (a lower and upper) are punched for convenient wire management and electronic storage. Casters are 5" in diameter, with 2 locking. Optional glides are 3/8" threaded stem.

The **optional DOORS** include a secure and reliable locking mechanism, which engages lock rods into the dome top and the base shelf. Doors also come with urethane ergonomic and modern door handles of your color choice. The fully hinged doors articulate 270 degrees, free of obstruction.

Due to the Cascade Tower's height, **riser shelves are not available on Cascade Mini Tower, Mid Tower or Mega Tower.**



## mega-tower w/ totes

MODEL	DESCRIPTION	D"	W"	H"	F.C.	WT.
<b>Standard Width (SW) Totes</b>						
910036000P_	Open w/thirty-six 3" SW totes	19	43	61.4	100	209
920036000P_	Doors w/thirty-six 3" SW totes	19	43	61.4	100	242
910009093P_	Open w/nine 3" and nine 6" and three 12" SW totes	19	43	61.4	100	209
920009093P_	Doors w/nine 3" and nine 6" and three 12" SW totes	19	43	61.4	100	242
910009150P_	Open w/nine 3" and fifteen 6" SW totes	19	43	61.4	100	209
920009150P_	Doors w/nine 3" and fifteen 6" SW totes	19	43	61.4	100	242
<b>Extra Wide (EW) Totes</b>						
C10024000P_	Open w/twenty-four 3" EW totes	19	43	61.4	100	209
C20024000P_	Doors w/twenty-four 3" EW totes	19	43	61.4	100	242
C10014060P_	Open w/fourteen 3" and six 6" EW totes	19	43	61.4	100	209
C20014060P_	Doors w/fourteen 3" and six 6" EW totes	19	43	61.4	100	242
	pallet dimensions	22	45	64		

\*see catalog for all optional parts & accessories.

\*see catalog for all optional parts & accessories.

## Cascade Frame



PLATINUM

**\*(Cascade Riser Shelves not available on Cascade 'Towers' due to height).**

### Standard Laminate Options \*(Cascade Riser Shelves)

#### Want to specify a different laminate?

No problem. If you have 20 or more tops of the same color -60 or -38 there is no upcharge. Have 20 or less? We can quote for you with the Wilsonart code and – finish style. We can specify other laminates – call to inquire and get a quote.



#### Suggested Standard Laminates:



ASIAN NIGHT  
7949-60  
**ANG**



BOARDWALK OAK  
7983-60  
**BWK**



PEWTER MESH  
4878-60  
**PEW**



CLASSIC LINEN  
4943-60  
**CLN**



HIGH RISE  
4996-60  
**HRE**



BUKA BARK  
7982-60  
**BBK**



PALISADES OAK  
7987-60  
**PSO**



FLAX LINEN  
4990-60  
**FLL**



MISSION MAPLE  
7990-60  
**MIM**



NEW AGE OAK  
7938-60  
**NEW**

#### Classic Standard Laminates:



WILD CHERRY  
7054-60  
**CHE**



GREY NEBULA  
4622-60  
**GNB**



FUSION MAPLE  
7909-60  
**MAP**

All 13 of the standard laminates are -60 finish, if you need to match a laminate from a previous year, please let us know on your order (example Pewter Mesh 4878-38, our standard is -60).

When the WilsonArt Laminate code includes a "Y", "K", "-12" "-78", "Aeon" etc, these are special laminates with an upcharge, even when it contains -38 or -60.

## Cascade End Panel Color Options



APPLE **A**



BLACK **B**



BLUEBERRY **C**



BURGUNDY **D**



CERULEAN **S**



CHARCOAL **R**



CHOCOLATE **Q**



CLEMENTINE **E**



FOREST GREEN **F**



FUCHSIA **G**



MINT **H**



MOCHA **T**



NAVY **I**



ORANGE **U**



PERSIAN BLUE **J**



PLATINUM **P**



PURPLE **K**



RED **L**



YELLOW **N**